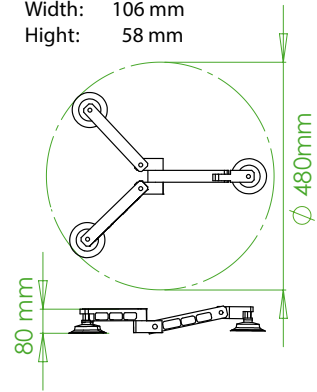


C3 System Specification

Dimensions Vacuum Pump System:

Length: 184 mm
Width: 106 mm
Height: 58 mm



Payload:

max. payloads Depending on how it is used
up to 100 kg / 220 lbs.

C3 System appr.: 3 kg

Electrical Data:

Input Range: 11V - 30V DC
Current A: 0.7 A(max)
Consumption: 8.5W (max)

Watt Hour: 0,96W/h (AUTOMATIC MODE)
Current Hour: 80mA/h (AUTOMATIC MODE)

car onboard (12V)
any standard Camera Battery over 11V

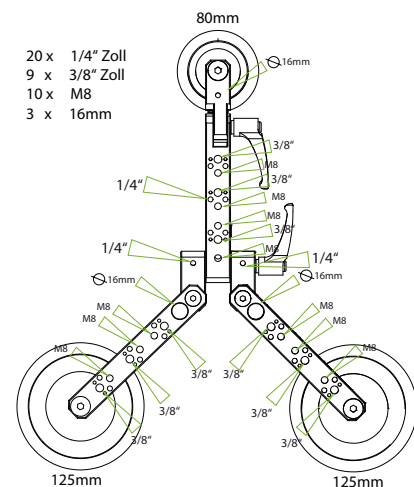
Information System:

Micro-controlled unit
Permanent pressure control
Loss of pressure will be readjusted immediately
Permanent power control
Light and sound signals
Digital display

Additional Data:

Low noise: 65 dB
Ambient temperature: -10°C to +80°C

Certifications & Approvals:
CE, RoHS, IP54 (electronics), IP62 (structure)



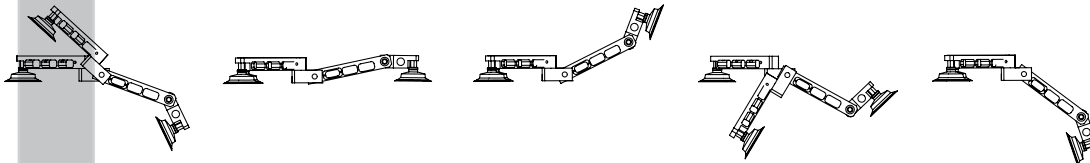
C3 VacuMount System includes:

1x C3 structure
2x Suction cup 125
1x Suction cup 80
1x Micro-controlled Vacuum Pump System
1x cable car power supply appr. 2m
1 x cable air supply appr. 5m
1x V-Mount
2x Tension belt / Hook kit



The C3 VacuMount

A lightweight, resistant, and ultra-flexible vacuum mounting platform that delivers a multitude of rigging possibilities with ultimate functionality. The C3 VacuMount system is ideal for mounting cameras, gimbals, camera heads, lights or other accessories on all smooth surfaces such as windows, cars, walls etc.! With the C3 VacuMount System you can take shots with the camera directed at the driver from the front of a car (off the hood), or from the side of a car - the C3 System covers these applications entirely. The C3 can be used as a single mounting system, or as addition with further C3, or the C1 VacuMounts.



C3 System Features

- activ vacuum rigging system
- the three suction pads can carry a maximum payload of up to 100 kg | 220 lbs, depending on how the C3 VacuMount is used
- the C3 VacuMount is designed in such a way that it can hold the camera, gimbal and lights directly, or mounted with a wedge/tilt plate.
- the assembly of the C3 VacuMount is installed within seconds
- amazing flexibility for all purposes due to it's unique joint design
- permanent automatic pressure and power control
- the vacuum pump system can be connected from 11V to 30V DV , directly from a car (12V), or any standard V-Mount Battery or D-TAP
- the C3 VacuMount can be rigged and used perfectly on narrow or small surfaces
- due to articulated links the mounting angle can also be used around the corner
- easy one man handling due to its lightweight and user optimized design

IDEA VISION GmbH
Anzengruberstr. 16
83059 Kolbermoor
D-Germany

Phone: +49 (0)8031 9085795
contact@idea-vision.de

www.idea-vision.de



 Stay FOCUSED
VacuMount



Office
 IDEA VISION GmbH
 Anzengruberstr. 16
 83059 Kolbermoor
 Germany

Contact
 Fon +49 (0)8031 90 85 795
 Fax +49 (0)8031 90 85 796
 email contact@idea-vision.de
 www.idea-vision.de

The Right Choice!