



G-7 Spot

LED moving head



Description

The G-7 Spot is the quintessence of IP-rated moving heads. A fast, compact, and lightweight mid-sized moving head spot with high-output and low power consumption. Thanks to its white LED engine and CMY color mixing, the G-7 Spot is the perfect moving head for those who need maximum light output inside an easy-to-move luminaire. The G-7 Spot gives you a solid construction, a high-quality beam, and an optimal projection in a very flexible assembly. A fixture born to rock night after night.

Features and benefits

- ✓ IP66-rated moving head spot with 6500K white LED engine
- ✓ 16000 lumen and 5° to 39° zoom range
- ✓ CMY color mixing with dichroic RGB macros, linear CTO, CTB and 1 wheel with 5 colors + open
- ✓ 6 rotatable gobos, 9 static gobos, 3-facet prism, iris, and frost
- ✓ Clear and sharp projection
- ✓ Fast pan and tilt movement
- ✓ Compact, lightweight, and maintenance-free
- ✓ Superior thermal management for high reliability

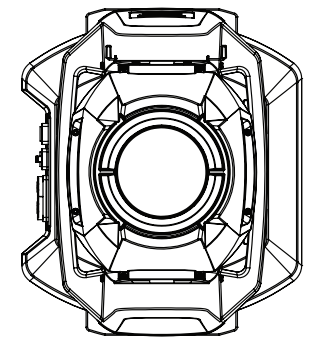
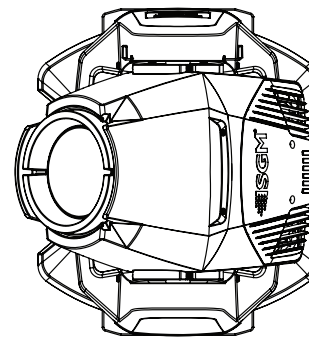
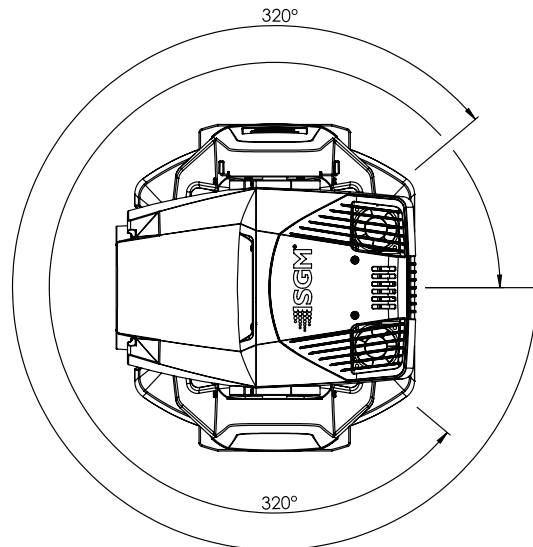
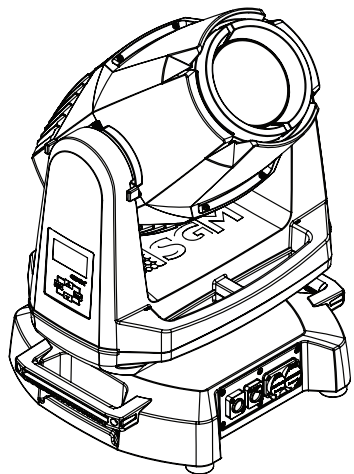
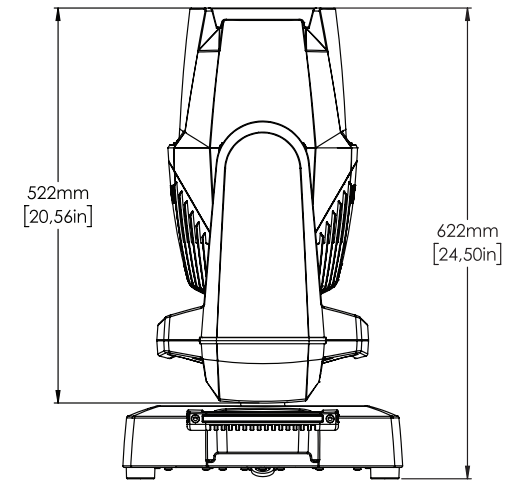
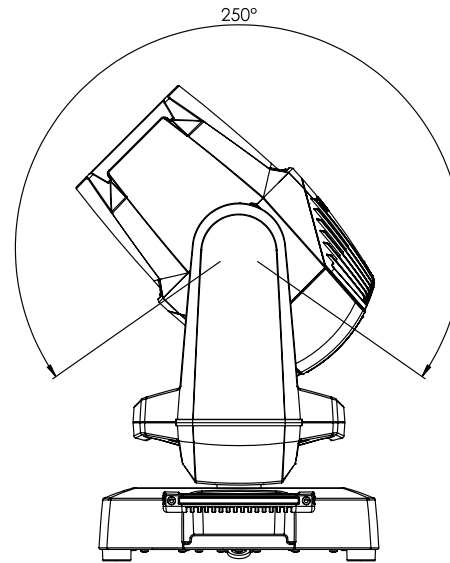
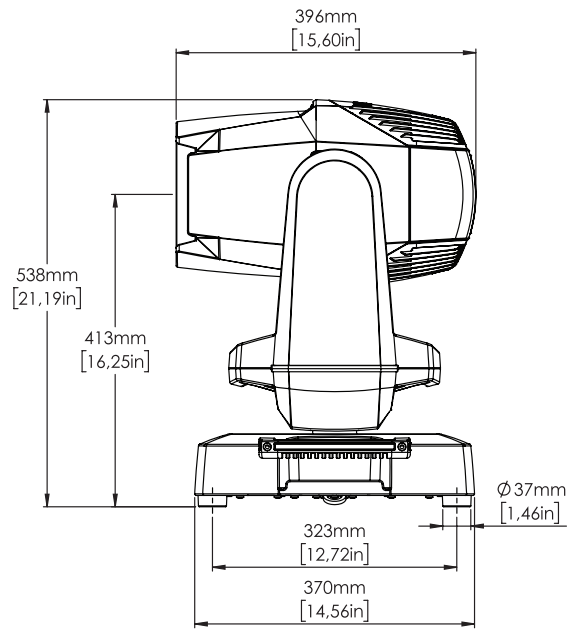
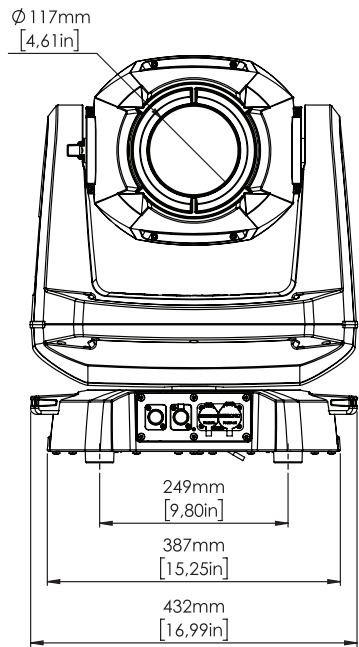
Certifications & classifications

IP66

RoHS

CE





Specification

Optical Data	Focus	Motorized
	Frost	0% - 100%, variable
	LED expected lifetime	20,000 hours
	Lightsource	High-power white LED (6,500K)
	Prism	3-facet rotatable and indexable prism
	Zoom	Motorized
	Zoom range	5° to 39°
Photometric	Color Temperature	6500K Linear CTO and CTB
	Efficacy	35.8 lm/W
	Light output all LEDs on	16000 lm
	Lux @ 10m	11963 lux
	Lux @ 5m	47854 lux
	Maximum Beam Angle	28.6 °
	Maximum Field Angle	38.7 °
	Minimum Beam Angle	5.8 °
Minimum Field Angle	9.2 °	
Physical	Color options	Black - RAL 9004 Custom color - Any RAL White - RAL 9010
	IP class	IP66
	Lens material	AR-coated glass
	Material	Aluminium PC/ASA Rubber Steel
	Net dimensions	433 x 622 x 370 mm
	Net dimensions inches	17.1 x 24.5 x 14.6 inches
	Net weight	27 kg (59.5 lbs)
Features	Color wheel	5 colors + open
	Dehumidifier	Head
	Dimming	Electronic
	Effect wheels	FX area integrated on color wheel
	Gobo wheel (1)	9 static gobos + open
	Gobo wheel (2)	6 rotatable, indexable, and interchangeable gobos + open
	Iris	1% - 100%, pulse effect

	Other	CMY color mixing with added dichroic RGB macros Linear CTO CTB filter
	Pan	640°
	Physical Head Straight Up Height	623 mm
	Strobe	Ultra-high-speed strobe effects
	Tilt	250°
	Tilt Locking System	Yes
Electrical	AC power, max.	90 - 264V 50/60Hz
	AC Power, nominal	100 - 240V 50/60Hz
	Electrical Protection	Overload protection with automatic recover
	Max Inrush Current	70 A
	Max power consumption	480 W
	Max power thru @ 100 V	14 A
	Max power thru @ 230 V	13 A
	Power factor	0.96 PF (230 V)
	Power Supply Unit	Inbuilt IP 67 Auto-ranging electronic switch-mode
	Standby power consumption	65 W
	Typical power consumption	415 W
Programming and Control	16-bit control	Dimmer, colors, CTO, pan/tilt, gobo index/rotation, zoom, focus
	Cabled DMX	5 pin XLR input/output
	DMX channels	22 or 29
	DMX modes	2
	Protocol	CRMX, W-DMX™ G2, W-DMX™ G3, W-DMX™ G4, W-DMX™ G4S USITT DMX512A RDM ANSI E1.20
	Setting and addressing	OLED graphical display / 4 buttons RDM ANSI E1.20 Standalone mode
	Wireless DMX	Lumen Radio with RDM
Connections	DMX data in/out	IP67 XLR 5-pin connector, Female IP67 XLR 5-pin connector, Male
	Power	Power input connector & link-thru
Installation	Mounting point	4 x 2 quarter-turn locking points
	Orientation	Any
	Rigging possibilities	Hanging (Omega Brackets included)
	Safety features	Bottom mount for safety wire

Minimum distance to combustible materials: 0.3 meter (11 in).

Thermal	Cooling	Active, Forced Air, Temperature-regulated
	Humidity (max.)	98 %
	Temperature range, Operating	-40°C to 50°C
	Temperature range, Start-up	-20°C to 50°C
	Temperature range, Storage	-40°C to 80°C
	Thermal Protection	Automatic overtemperature protection
Included items	Included items	2 Omega bracket with quarter-turn fasteners Safety instructions and installation quick guide
Gobos	Glass	Borosilicate high-temperature glass
	Image diameter	23 mm
	Maximum thickness glass	1.1 mm
	Outside diameter	28 mm
Conforms To	CE - 2014/30/EU: EMC Directive	EN 55103-2
		EN 55015
		EN 61547
		EN 61000-3-2
		EN 61000-3-3
Conforms To	CE - 2014/35/EU: Low Voltage Directive	EN 55032
		EN 60598-1
		EN 60598-2-17
		EN 62471
Conforms To	RoHS2 Directive	EN 60529
		2011/65/EU
		UL Std. 1573
Certified To	CSA	UL Std. 1573
		CSA Std. C22.2 No. 166

NOTES:

Due to continuous improvements and innovations, specifications may change without notice.

LEDs' expected lifetime provided by manufacturer and obtained under manufacturer's test conditions.

Zoom range defined as a minimum beam angle to a maximum field angle.

Photometric measurements obtained with Goniometer Scan / SGM Illumination Lab 1.6.0.0.

Lumen output in pixel products is calculated.

Ordering information

Qty	Product name	Item number
<input type="checkbox"/>	G-7 Spot, Std, WH	80102506
<input type="checkbox"/>	G-7 Spot, Std, CU	80102507
<input type="checkbox"/>	G-7 Spot, Std, BL	80102505
<input type="checkbox"/>		
	Accessories	Item number
<input type="checkbox"/>	Omega Bracket with 1/4-turn fasteners	83060602
<input type="checkbox"/>	Power cable with IP connector	07860275
<input type="checkbox"/>	SGM USB uploader cable	83062011
<input type="checkbox"/>	Vacuum Test Kit	83061136
<input type="checkbox"/>	A-4	80070217
<input type="checkbox"/>	RDM Addressing Tool	
<input type="checkbox"/>	G-7 Spot Top Hat	83061184
<input type="checkbox"/>	Flight Case for 2 pcs G-7 Series	82051020
<input type="checkbox"/>		



Headquarter [+45 70 20 74 00](tel:+4570207400)

Mail info@sgmlight.com

Website sgmlight.com