



# ParLite Led T

Product code: F007E000B

## KEY FEATURES

- LED PAR light
- 36 Tungsten Cree LEDs
- Manual or PO yoke available
- Electronic dimmer (2 curves selectable)
- Double yoke for easy ground standing or truss hanging
- Convection cooling system (no fan)
- Variable beam angles due to quickly interchangeable optics (12°, 30°, 13° x 40°, 50°, 110°)
- IP rating: 20 or 65
- Guaranteed flicker-free operation



## SPECIFICATIONS

- Fixed white CCT: 3.200 K
- Standard lens 12°
- Electronic dimmer (2 different curves selectable)
- Synchronized, random or pulse electronic strobe
- Flicker free operation
- Double yoke for easy ground standing or truss hanging
- IP rating: 20 or 65 (weatherproof)
- CE approved

## LIGHT SOURCE

- 36 Tungsten Cree LEDs
- Average LED lifetime: a minimum of 80% of the initial luminous flux will be maintained after approx. 50.000 hours of usage (50.000 LM80)

## PHYSICAL SIZE

- Length: 211.4 mm (8.32 in)
- Width: 182.8 mm (7.20 in)
- Height: 267 mm (10.51 in)
- Weight: 3.5 kg (7.7 lbs)

## CONTROL PROTOCOL AND PROGRAMMING

- USITT DMX512A
- DMX channels: 6
- Setting and addressing: binary dip switch or remotely
- RDM (Remote Device Management)

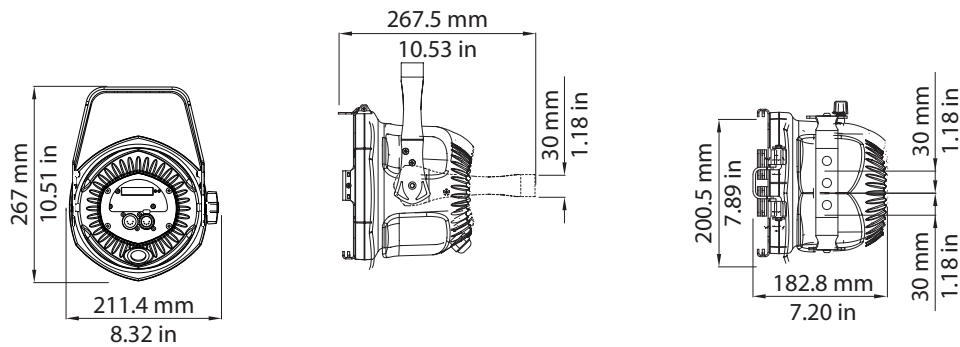
## ELECTRICAL SPECIFICATIONS AND CONNECTIONS

- AC power: 100-250 V, auto-sensing, 50/60 Hz, 2 m (6.6 ft) integral cable without power plug
- Max power consumption: 40 W
- Power consumption: 0.33 A at 230 V, 0.67 A at 115 V -  $\cos\phi$  0.52
- DMX data in/out: 5 pin locking XLR

## ACCESSORIES

- 30° lens kit
- 50° lens kit
- 40°x 13° elliptical lens kit
- 110° flood reflector
- Support color frame holder (black or silver)
- Frame for internal frost filter
- Frame for external frost filter
- 4 leaf barndoor
- IP 65 rear panel (black or silver)
- Egg crate louvers

## DRAWING SIZE



## DMX CHARTS

6 channels	
1	master dimmer
2	1 - 12 LEDs on
2 (A)	speed (this channel becomes active when channel 6 is on)
3	13 - 24 LEDs on
3 (A)	pause (this channel becomes active when channel 6 is on)
4	25 - 36 LEDs on
5	strobe effect
6	automated functions

## PHOTOMETRIC DATA

The ParLite Led Photometric Data may be downloaded from [www.coemar.com](http://www.coemar.com).

## ACCESSORIES

Code	Description
PCO9167/1	12° lens kit
PCO9167	30° lens kit
PCO9167/3	50° lens kit
PCO9167/2	13° x 40° lens kit
PCO9168	110° flood reflector
BC10007A001	Support color frame holder black
BC10007A002	Support color frame holder silver
PCO9169	Frame for internal frost filter
PCO9169/1	Frame for external frost filter
PCO9164	4 leaf barndoor
GPAN22	IP 65 rear panel black
GPAN25	IP 65 rear panel silver
BC10007A007	Egg crate louvers



# ParLite Led VariWhite

Product code: F007G000B

## KEY FEATURES

- LED PAR light
- 36 Cree LEDs
- Continuously variable CCT from 2.700 to 6.500 K
- Manual or PO yoke available
- Electronic dimmer (2 curves selectable)
- Double yoke for easy ground standing or truss hanging
- Convection cooling system (no fans)
- Variable beam angles due to quickly interchangeable optics (12°, 30°, 13° x 40°, 50°, 110°)
- IP rating: 20 or 65
- Guaranteed flicker-free operation



## SPECIFICATIONS

- CCT proportional control from 2.700 to 6.500 K
- • Standard lens 12°
- • Electronic dimmer (2 different curves selectable)
- • Synchronized, random or pulse electronic strobe
- • Flicker-free operation
- • Double yoke for easy ground standing or tuss hanging
- • IP rating: 20 or 65 (weatherproof)
- • CE approved

## LIGHT SOURCE

- 36 Cree LEDs
- Average LED lifetime: a minimum of 80% of the initial luminous flux will be maintained after approx. 50.000 hours of usage (50.000 LM80)

## PHYSICAL SIZE

- Length: 211.4 mm (8.32 in)
- Width: 182.8 mm (7.20 in)
- Height: 267 mm (10.51 in)
- Weight: 3.5 kg (7.7 lbs)

## CONTROL PROTOCOL AND PROGRAMMING

- USITT DMX512A
- DMX channels: 4
- Setting and addressing: binary dip switch or remotely
- RDM (Remote Device Management)

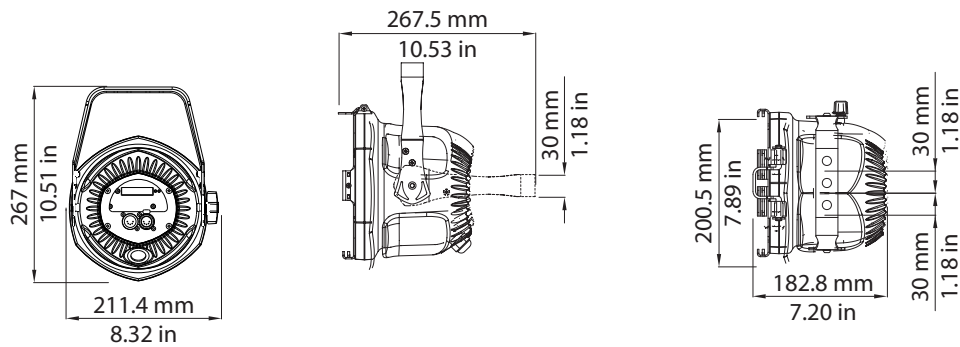
## ELECTRICAL SPECIFICATIONS AND CONNECTIONS

- AC power: 100-250 V, auto-sensing, 50/60 Hz, 2 m (6.6 ft) integral cable without power plug
- Max power consumption: 50 W
- Power consumption: 0.4 A at 230 V, 0.8 A at 115 V -  $\cos\phi$  0.52
- DMX data in/out: 5 pin locking XLR

## ACCESSORIES

- 30° lens kit
- 50° lens kit
- 40°x 13° elliptical lens kit
- 110° flood reflector
- Support color frame holder (black or silver)
- Frame for internal frost filter
- Frame for external frost filter
- 4 leaf barndoor
- IP 65 rear panel (black or silver)
- Egg crate louvers

## DRAWING SIZE



## DMX CHARTS

4 channels	
1	master dimmer
2	fine cold white adjustment
3	fine warm white adjustment
Note: channel 2 works when channel 3 is off and vice versa.	
4	strobe effect

## PHOTOMETRIC DATA

The ParLite Led Photometric Data may be downloaded from [www.coemar.com](http://www.coemar.com).

## ACCESSORIES

Code	Description
PCO9167/1	12° lens kit
PCO9167	30° lens kit
PCO9167/3	50° lens kit
PCO9167/2	13° x 40° lens kit
PCO9168	110° flood reflector
BC10007A001	Support color frame holder black
BC10007A002	Support color frame holder silver
PCO9169	Frame for internal frost filter
PCO9169/1	Frame for external frost filter
PCO9164	4 leaf barndoor
GPAN22	IP 65 rear panel black
GPAN25	IP 65 rear panel silver
BC10007A007	Egg crate louvers



# ParLite Led RGB

Product code: F0071000B

## KEY FEATURES

- LED PAR light
- 36 RGB Cree LEDs (12 Red, 12 Green, 12 Blue)
- Manual or PO yoke available
- Electronic dimmer (2 curves selectable)
- Double yoke for easy ground standing or truss hanging
- Convection cooling system (no fans)
- Variable beam angles due to quickly interchangeable optics (12°, 30°, 13° x 40°, 50°, 110°)
- IP rating: 20 or 65
- Guaranteed flicker-free operation



## SPECIFICATIONS

- RGB color mixing
- Standard lens 12°
- Electronic dimmer (2 different curves selectable)
- Synchronized, random or pulse electronic strobe
- Flicker-free operation
- Double yoke for easy ground standing or truss hanging
- IP rating: 20 or 65 (weatherproof)
- CE approved

## LIGHT SOURCE

- 36 Cree LEDs (12 Red, 12 Green, 12 Blue)
- Average LED lifetime: a minimum of 80% of the initial luminous flux will be maintained after approx. 50.000 hours of usage (50.000 LM80)

## PHYSICAL SIZE

- Length: 211.4 mm (8.32 in)
- Width: 182.8 mm (7.20 in)
- Height: 267 mm (10.51 in)
- Weight: 3.5 kg (7.7 lbs)

## CONTROL PROTOCOL AND PROGRAMMING

- USITT DMX512A
- DMX channels: 6
- Setting and addressing: binary dip switch or remotely
- 4 internal automatic programs
- RDM (Remote Device Management)

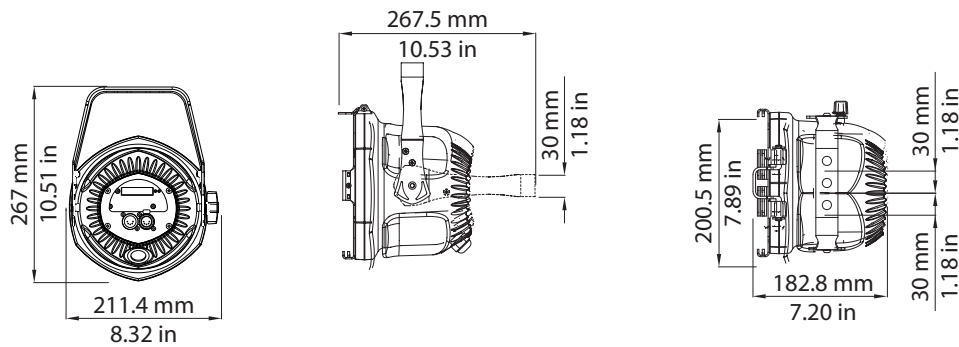
## ELECTRICAL SPECIFICATIONS AND CONNECTIONS

- AC power: 90-250 V, auto-sensing, 50/60 Hz, 2 m (6.6 ft) integral cable without power plug
- Max power consumption: 50 W
- Power consumption: 0.4 A at 230 V, 0.8 A at 115 V -  $\cos\phi$  0.52
- DMX data in/out: 5 pin locking XLR

## ACCESSORIES

- 30° lens kit
- 50° lens kit
- 40°x 13° elliptical lens kit
- 110° flood reflector
- Support color frame holder (black or silver)
- Frame for internal frost filter
- Frame for external frost filter
- 4 leaf barndoor
- IP 65 rear panel (black or silver)
- Egg crate louvers

## DRAWING SIZE



## DMX CHARTS

6 channels	
1	master dimmer
2	red
2 (A)	speed (this channel becomes active when channel 6 is on)
3	green
3 (A)	pause (this channel becomes active when channel 6 is on)
4	blue
5	strobe effect
6	automated functions

## PHOTOMETRIC DATA

The ParLite Led Photometric Data may be downloaded from [www.coemar.com](http://www.coemar.com).

## ACCESSORIES

Code	Description
PCO9167/1	12° lens kit
PCO9167	30° lens kit
PCO9167/3	50° lens kit
PCO9167/2	13° x 40° lens kit
PCO9168	110° flood reflector
BC10007A001	Support color frame holder black
BC10007A002	Support color frame holder silver
PCO9169	Frame for internal frost filter
PCO9169/1	Frame for external frost filter
PCO9164	4 leaf barndoor
GPAN22	IP 65 rear panel black
GPAN25	IP 65 rear panel silver
BC10007A007	Egg crate louvers



# ParLite Led RGBW

Product code: F007L000C

## KEY FEATURES

- LED PAR light
- 36 RGBW Cree LEDs (9 Red, 9 Green, 9 Blue, 9 White)
- RGBW color mixing (2 DMX modes selectable) variable power on the 4 output channels
- Manual or PO yoke available
- Electronic dimmer (2 curves selectable)
- Double yoke for easy ground standing or truss hanging
- Convection cooling system (no fans)
- Variable beam angles due to quickly interchangeable optics (12°, 30°, 13° x 40°, 50°, 110°)
- IP rating: 20 or 65
- Guaranteed flicker-free operation



## SPECIFICATIONS

- RGBW color mixing (2 DMX modes selectable): variable power in the 4 output channels
- Standard lens 30°
- Electronic dimmer (2 curves selectable)
- Synchronized, random or pulse electronic strobe
- Guaranteed flicker-free operation with LEDs frequency controlled via DMX from 600 to 19.000 Hz
- Double yoke for easy ground standing or truss hanging
- IP rating: 20 or 65 (weatherproof)
- CE approved

## LIGHT SOURCE

- 36 Cree LEDs (9 Red, 9 Green, 9 Blue, 9 White)
- Average LED lifetime: a minimum of 80% of the initial luminous flux will be maintained after approx. 50.000 hours of usage (50.000 LM80)

## PHYSICAL SIZE

- Length: 211.4 mm (8.32 in)
- Width: 182.8 mm (7.20 in)
- Height: 267 mm (10.51 in)
- Weight: 3.5 kg (7.7 lbs)

## CONTROL PROTOCOL AND PROGRAMMING

- USITT DMX512A
- DMX channels: 8 / 4
- Setting, addressing, testing and measurements via LEDs display
- 4 internal automatic programs
- Master / Slave mode
- RDM (Remote Device Management)

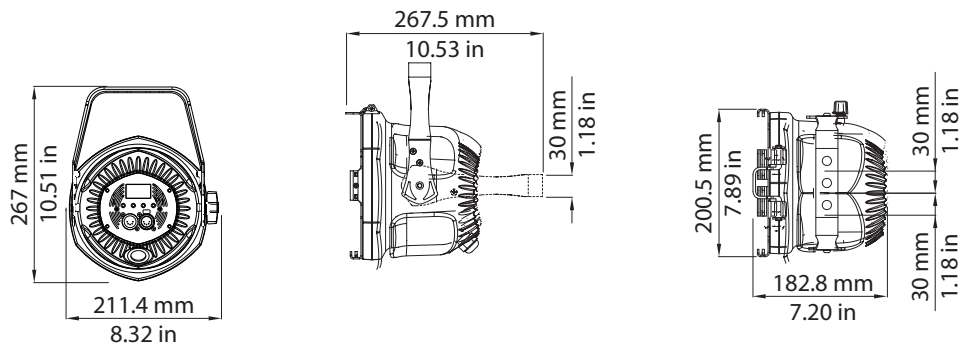
## ELECTRICAL SPECIFICATIONS AND CONNECTIONS

- AC power: 100-250 V, auto-sensing, 50/60 Hz, 2 m (6.6 ft) integral cable without power plug
- Max power consumption: 50 W
- Power consumption: 0.4 A at 230 V, 0.8 A at 115 V -  $\cos\phi$  0.52
- DMX data in/out: 5 pin locking XLR

## ACCESSORIES

- 12° lens kit
- 50° lens kit
- 40°x 13° elliptical lens kit
- 110° flood reflector
- Support color frame holder (black or silver)
- Frame for internal frost filter
- Frame for external frost filter
- 4 leaf barndoor
- IP 65 rear panel (black or silver)
- Egg crate louvers

## DRAWING SIZE



## DMX CHARTS

8 channels	
1	master dimmer
2	red
2 (A)	speed (this channel becomes active when channel 7 is on)
3	green
3 (A)	pause (this channel becomes active when channel 7 is on)
4	blue
5	white
6	strobe effect
7	automated function
8	special function

4 channels	
1	red
2	green
3	blue
4	white

## PHOTOMETRIC DATA

The ParLite Led Photometric Data may be downloaded from [www.coemar.com](http://www.coemar.com).

## ACCESSORIES

Code	Description
PCO9167/1	12° lens kit
PCO9167	30° lens kit
PCO9167/3	50° lens kit
PCO9167/2	13° x 40° lens kit
PCO9168	110° flood reflector
BC10007A001	Support color frame holder black
BC10007A002	Support color frame holder silver
PCO9169	Frame for internal frost filter
PCO9169/1	Frame for external frost filter
PCO9164	4 leaf barndoor
GPAN22	IP 65 rear panel black
GPAN25	IP 65 rear panel silver
BC10007A007	Egg crate louvers





# ParLite Led RGBA

Product code: F007M000C

## KEY FEATURES

- LED PAR light
- 36 RGBA Cree LEDs (9 Red, 9 Green, 9 Blue, 9 Amber)
- RGBA color mixing (2 DMX modes selectable) variable power on the 4 output channels
- Manual or PO yoke available
- Electronic dimmer (2 curves selectable)
- Double yoke for easy ground standing or truss hanging
- Convection cooling system (no fans)
- Variable beam angles due to quickly interchangeable optics (12°, 30°, 13° x 40°, 50°, 110°)
- IP rating: 20 or 65
- Guaranteed flicker-free operation



## SPECIFICATIONS

- RGBA color mixing (2 DMX modes selectable): variable power in the 4 output channels (RGBA)
- Standard lens 30°
- Electronic dimmer (2 curves selectable)
- Synchronized, random or pulse electronic strobe
- Guaranteed flicker-free operation with LEDs frequency controlled via DMX from 600 to 19.000 Hz
- Double yoke for easy ground standing or truss hanging
- IP rating: 20 or 65 (weatherproof)
- CE approved

## LIGHT SOURCE

- 36 Cree LEDs (9 Red, 9 Green, 9 Blue, 9 Amber)
- Average LED lifetime: a minimum of 80% of the initial luminous flux will be maintained after approx. 50.000 hours of usage (50.000 LM80)

## PHYSICAL SIZE

- Length: 211.4 mm (8.32 in)
- Width: 182.8 mm (7.20 in)
- Height: 267 mm (10.51 in)
- Weight: 3.5 kg (7.7 lbs)

## CONTROL PROTOCOL AND PROGRAMMING

- USITT DMX512A
- DMX channels: 8 / 4
- Setting, addressing, testing and measurements via LEDs display
- 4 internal automatic programs
- Master / Slave mode
- RDM (Remote Device Management)

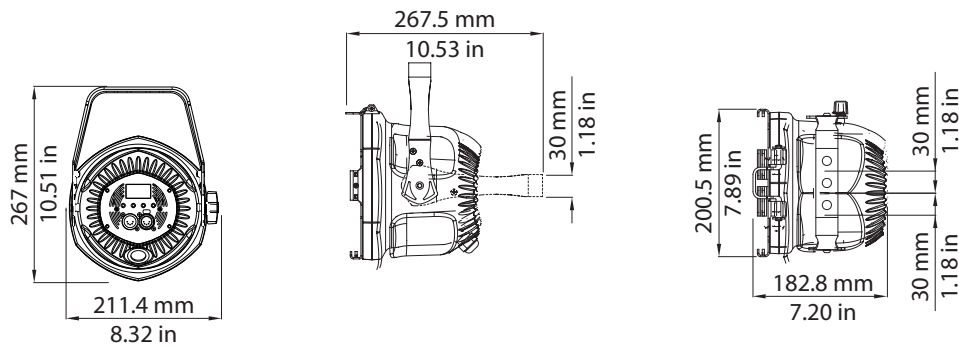
## ELECTRICAL SPECIFICATIONS AND CONNECTIONS

- AC power: 100-250 V, auto-sensing, 50/60 Hz, 2 m (6.6 ft) integral cable without power plug
- Max power consumption: 50 W
- Power consumption: 0.4 A at 230 V, 0.8 A at 115 V - cosφ 0.52
- DMX data in/out: 5 pin locking XLR

## ACCESSORIES

- 12° lens kit
- 50° lens kit
- 40°x 13° elliptical lens kit
- 110° flood reflector
- Support color frame holder (black or silver)
- Frame for internal frost filter
- Frame for external frost filter
- 4 leaf barndoor
- IP 65 rear panel (black or silver)
- Egg crate louvers

## DRAWING SIZE



## DMX CHARTS

8 channels	
1	master dimmer
2	red
2 (A)	speed (this channel becomes active when channel 7 is on)
3	green
3 (A)	pause (this channel becomes active when channel 7 is on)
4	blue
5	amber
6	strobe effect
7	automated function
8	special function

4 channels	
1	red
2	green
3	blue
4	amber

## PHOTOMETRIC DATA

The ParLite Led Photometric Data may be downloaded from [www.coemar.com](http://www.coemar.com).

## ACCESSORIES

Code	Description
PCO9167/1	12° lens kit
PCO9167	30° lens kit
PCO9167/3	50° lens kit
PCO9167/2	13° x 40° lens kit
PCO9168	110° flood reflector
BC10007A001	Support color frame holder black
BC10007A002	Support color frame holder silver
PCO9169	Frame for internal frost filter
PCO9169/1	Frame for external frost filter
PCO9164	4 leaf barndoor
GPAN22	IP 65 rear panel black
GPAN25	IP 65 rear panel silver
BC10007A007	Egg crate louvers