



P-5

RGBW LED Wash Light



Description

The P-5 is the most well-known and reputed IP65 LED wash in the lighting industry. It has created new standards of color consistency, even coverage, light output, and smooth dynamic color balance. The P-5 employs 16bit dimming performance with no color shift, it is completely upgradeable through firmware updates, and it offers a full variety of beam angles for medium-to-longer throw applications via precise, interchangeable lenses. Its unique light projection and color mixing has made the P-5 the standard reference for lighting designers all around the world.

Features and benefits

- ✓ High-performance IP65 RGBW LED light source
- ✓ 20031 lumens in 420W
- ✓ 2000K - 10000K CTC control
- ✓ Practically maintenance-free
- ✓ 43°, 21°, and 15° interchangeable lenses
- ✓ DMX, RDM, and wireless control
- ✓ Accurate 16bit dimming performance
- ✓ Flicker-free / Programmable scenes

Certifications & classifications

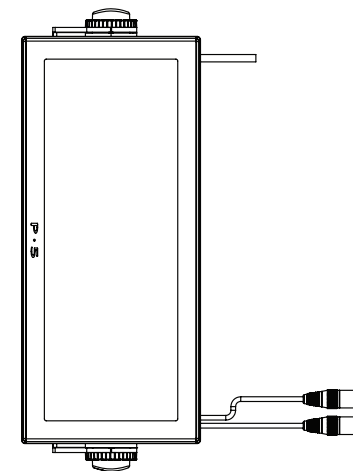
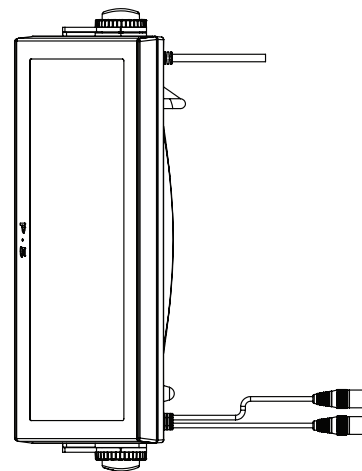
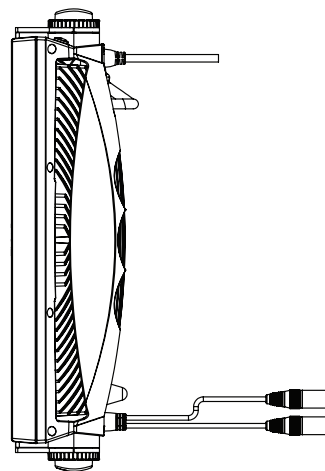
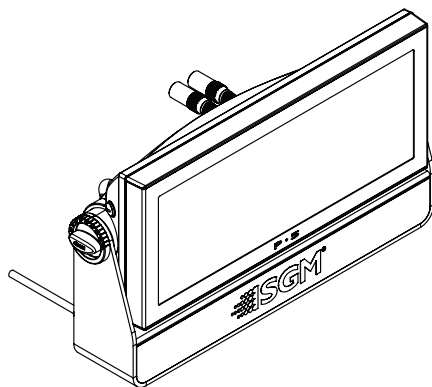
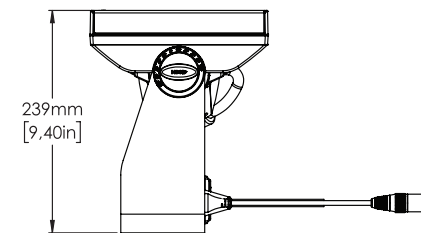
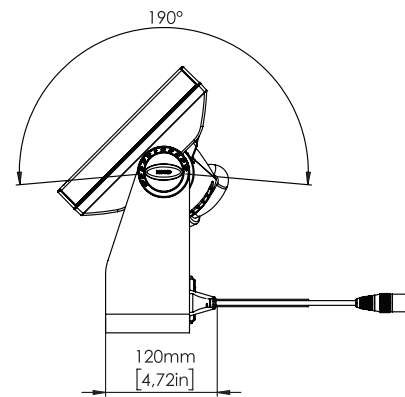
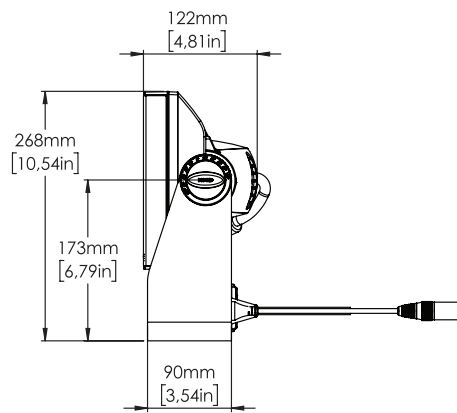
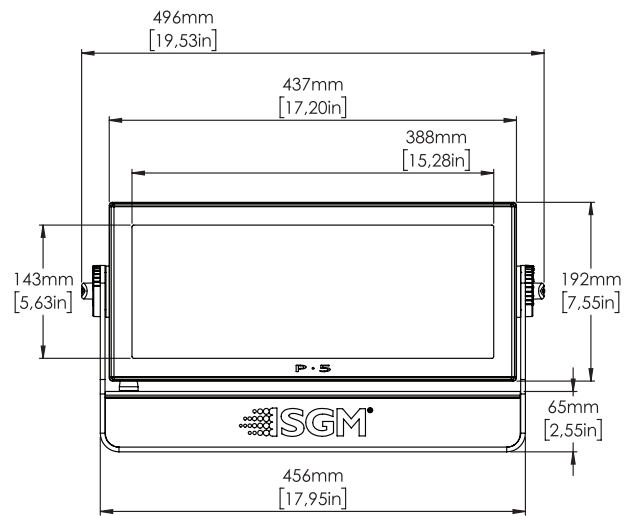
IP65

RoHS

CE

ETL US

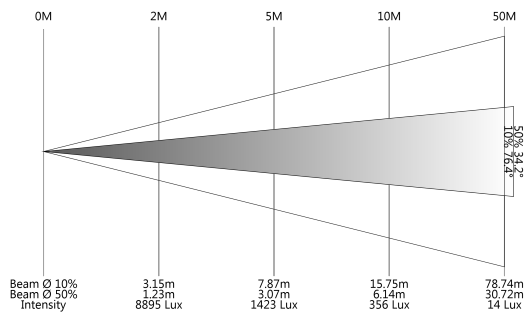
ECO FRIENDLY



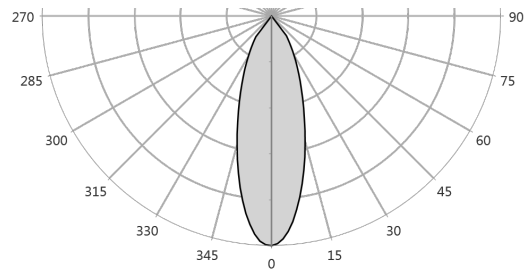
Manufacturer SGM
Luminaire P-5 43deg All on raw peak
Measurement Date 09-08-2017
Power Consumption 462 W
Light Output 19 104 lm
Field Angle 76.4 deg
Beam Angle 34.2 deg



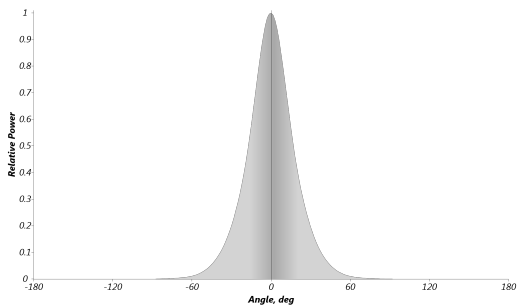
Lux Diagram



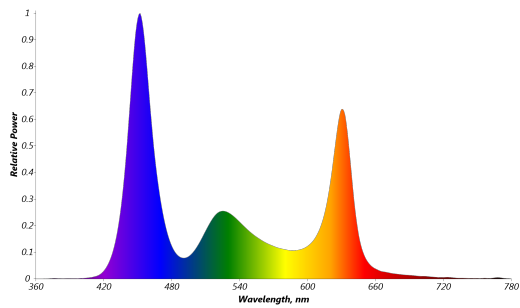
Polar Distribution



Beam Profile



Spectral Distribution



Specification

Optical Data	LED expected lifetime	50,000 hours
	Lens	15° 21° 43°
	Lightsources	44 x high-power 10W RGBW LEDs
Photometric	Beam angle(s)	14° (with 15° lens) 26° (with 21° lens) 35° (with 43° lens)
	Color temperature range	2000K - 10000K
	CRI typical	86
	Efficacy	44 lm/W
	Light output all LEDs on	20031 lm
	Light output blue	1353 lm
	Light output green	5806 lm
	Light output red	4725 lm
	Lux @ 10m	1993 lux
	Lux @ 3m	22142 lux
	Lux @ 5m	7971 lux
	Maximum Field Angle	76 °
	Minimum Field Angle	30 °
Physical	Color options	Black - RAL 9004 Custom color - Any RAL White - RAL 9010
	Effective Projected Area	1.51 Square ft
	IP class	IP65
	Lens material	PE and tempered glass front
	Material	Aluminium
	Net dimensions	497 x 268 x 122 mm
	Net dimensions inches	19.6 x 10.6 x 4.8 inches
	Net weight	8.9 kg (19.6 lbs)
Features	Dimming	Electronic
	Strobe	Ultra-high-speed strobe effects
	Tilt	0 - 190°
Electrical	AC power, max.	190 - 264V 50/60Hz
	AC Power, nominal	208 - 240V 50/60Hz
	Electrical Protection	Overload protection

	Max Inrush Current	45 A
	Max power consumption	450 W
	Power factor	0.98 PF (230 V)
	Power Supply Unit	Auto-ranging electronic switch-mode
	Standby power consumption	8 W
	Typical power consumption	420 W
Programming and Control	16-bit control	Dimmer, Red, Green, Blue
	Cabled DMX	5 pin XLR input/output
	DMX channels	3, 4, 6, 8, 9 or 10
	DMX modes	7
	Protocol	USITT DMX512A Wireless DMX (LumenRadio) RDM ANSI E1.20
	Setting and addressing	OLED graphical display / 4 buttons RDM ANSI E1.20 RFID Standalone mode
	Standalone mode	Quick Color Standalone mode programmable via RFID Up to 24 programmable scenes
	Wireless DMX	Lumen Radio with RDM
Connections	DMX data in/out	IP65 XLR 5-pin cable 0.5m
	Power	Power cable 1 meter with bare ends
Installation	Mounting point	2 x 2 quarter-turn locking points for one or two Omega brackets
	Orientation	Any
	Rigging possibilities	Floor stand (included) or hanging (Omega clamps included)
	Safety features	Bottom mount for safety wire Minimum distance to combustible materials: 0.3 meter (11 in).
Thermal	Cooling	Active, Forced Air, Temperature- regulated
	Humidity (max.)	98 %
	Temperature range, Operating	-40°C to 50°C
	Temperature range, Start-up	-20°C to 50°C
	Temperature range, Storage	-40°C to 80°C
	Thermal Protection	Automatic overtemperature protection
Included items	Included items	Wireless DMX antenna Mounting bracket (incl. screws)

2 Omega bracket with quarter-turn fasteners
Safety instructions and installation quick guide

Conforms To	CE - 2014/30/EU: EMC Directive	EN 55103-1 EN 55103-2 EN 55015 EN 61547 EN 61000-3-2 EN 61000-3-3
	CE - 2014/35/EU: Low Voltage Directive	EN 60598-1 EN 60598-2-17 EN 62471 EN 60529
	RoHS2 Directive UL	2011/65/EU UL Std. 1573

Certified To	CSA	CSA Std. C22.2 No. 166
---------------------	-----	------------------------

NOTES:

Due to continuous improvements and innovations, specifications may change without notice.

LEDs' expected lifetime provided by manufacturer and obtained under manufacturer's test conditions.

Zoom range defined as a minimum beam angle to a maximum field angle.

Photometric measurements obtained with Goniometer Scan / SGM Illumination Lab 1.6.0.0.

Lumen output in pixel products is calculated.

Ordering information

Qty	Product name	Item number
<input type="checkbox"/>	P-5 Wash, 21deg, Std, BL	80030515
<input type="checkbox"/>	P-5 Wash, 43deg, Std, BL	80030517
<input type="checkbox"/>	P-5 Wash, 15deg, Std, BL	80030518
<input type="checkbox"/>	P-5 Wash, 15deg, Std, WH	80030537
<input type="checkbox"/>	P-5 Wash, 21deg, Std, WH	80030538
<input type="checkbox"/>	P-5 Wash, 43deg, Std, WH	80030539
<input type="checkbox"/>	P-5 Wash, 43deg, Std, CU	80030540
<input type="checkbox"/>	P-5 Wash, 21deg, Std, CU	80030541
<input type="checkbox"/>	P-5 Wash, 15deg, Std, CU	80030542
<input type="checkbox"/>		

Accessories		Item number
<input type="checkbox"/>	P·5 Lens Kit, 15°	83061116
<input type="checkbox"/>	P·5 Lens Kit, 21°	83061117
<input type="checkbox"/>	P·5 Lens Kit, 43°	83061118
<input type="checkbox"/>	BCC-2 Dual Bracket	83060603
<input type="checkbox"/>	BCC-4 Quad Bracket	83060604
<input type="checkbox"/>	Omega Bracket with 1/4-turn fasteners	83060602
<input type="checkbox"/>	4-way Barndoors for P·5, i·5, X·5, Q·7	83061120
<input type="checkbox"/>	8-way Barndoors for P·5, i·5, X·5, Q·7	83061121
<input type="checkbox"/>	Accessory Holder for P·5 & i·5	83061119
<input type="checkbox"/>	Color Frame for P·5, Q·7, X·5, i·5	83061122
<input type="checkbox"/>	Floor Stand for P·5, X·5 & Q·7	83060610
<input type="checkbox"/>	Flight Case for 4 pcs of P·5/Q·7/X·5	82051501
<input type="checkbox"/>	Flight Case for 4 pcs of P·5/Q·7/X·5 incl. barndoors	82051502
<input type="checkbox"/>	SGM USB uploader cable	83062011
<input type="checkbox"/>	Vacuum Test Kit	83061136
<input type="checkbox"/>	A·4	80070217
<input type="checkbox"/>	Diffusion filter for P·5, i·5 - elliptical horizontal, external	83061027
<input type="checkbox"/>	Diffusion filter for P·5, i·5 - elliptical vertical, external	83061028
<input type="checkbox"/>	Diffusion filter for P·5, i·5 - medium, external	83061025
<input type="checkbox"/>	Diffusion filter for P·5, i·5 - wide, external	83061026
<input type="checkbox"/>	RDM Addressing Tool	
<input type="checkbox"/>		



Headquarter [+45 70 20 74 00](tel:+4570207400)

Mail info@sgmlight.com

Website sgmlight.com