



P-2

RGBW LED Wash Light



Description

The P-2 is an extremely bright and powerful RGBW wash light, built in a lightweight and compact construction. Maintaining the SGM design philosophy, the P-2 shares some of the key features of the P-5, like color calibration, interchangeable lenses, smooth seamless beam projection, low power consumption, and RMX DMX addressing. The P-2 further offers the benefits of three-segment pixel mapping control. Because of its efficiency, small size, and easy rigging options, the P-2 is a must-have wash for any rental company, touring production, corporate event, or temporary installation.

Features and benefits

- ✓ High-performance IP65 RGBW LED light source
- ✓ 3 individually controllable segments
- ✓ 2000K - 10000K CTC control
- ✓ Practically maintenance-free
- ✓ 43°, 21° and 15° interchangeable lenses
- ✓ Only 6.1kg (13.4 lbs.) / Low power consumption (170W)
- ✓ Accurate 16bit dimming performance
- ✓ Flicker-free / Programmable scenes

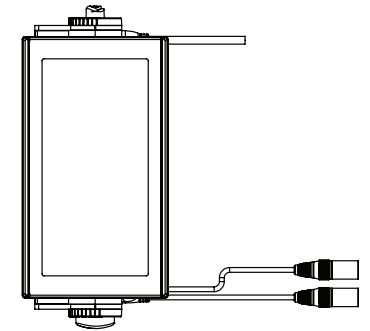
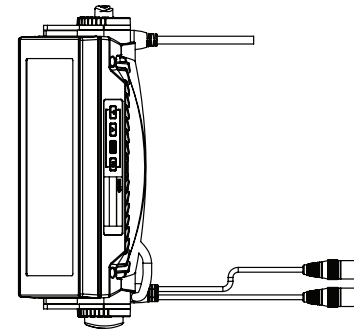
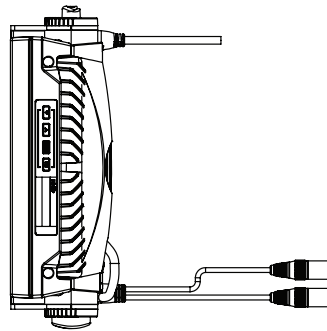
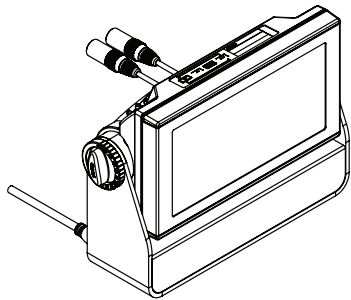
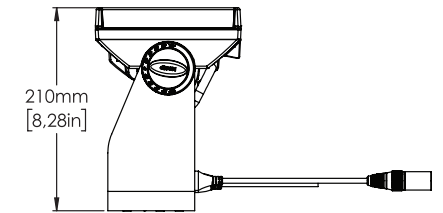
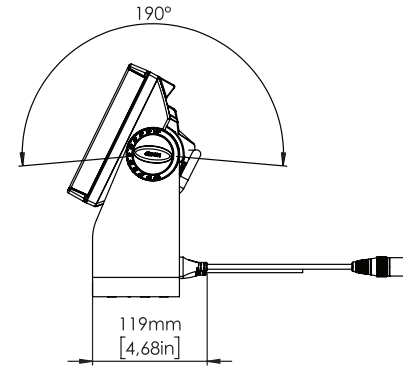
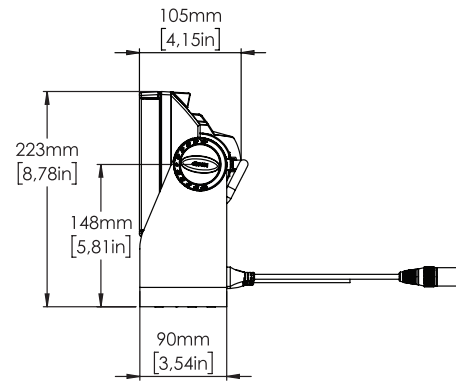
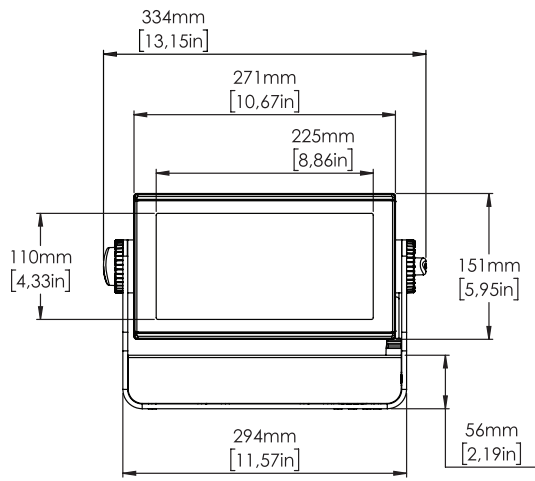
Certifications & classifications

IP65

RoHS

CE

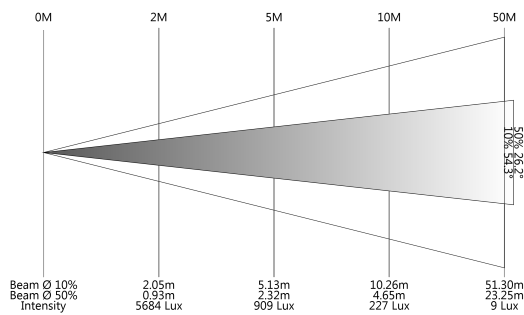




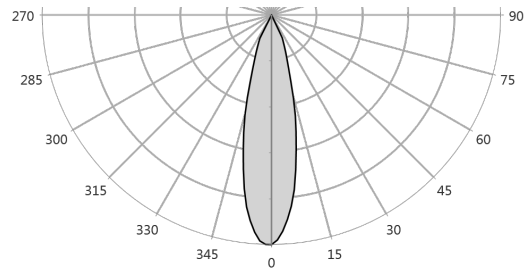
Manufacturer SGM
Luminaire P-2 21deg All on raw peak
Measurement Date 06-09-2017
Power Consumption 240 W
Light Output 7 468 lm
Field Angle 54.3 deg
Beam Angle 26.2 deg



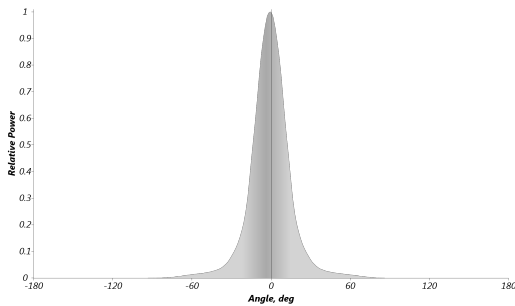
Lux Diagram



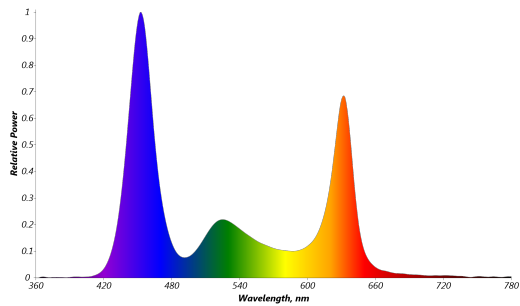
Polar Distribution



Beam Profile



Spectral Distribution



Specification

| | | |
|---------------------|--------------------------|---|
| Optical Data | LED expected lifetime | 50,000 hours |
| | Lens | 15° 21° 43° |
| | Lightsource | 18 x high-power 10W RGBW LEDs |
| Photometric | Beam angle(s) | 14° (with 15° lens) 26° (with 21° lens) 36° (with 43° lens) |
| | Color temperature range | 2000K - 10000K |
| | CRI typical | 87 |
| | Efficacy | 37 lm/W |
| | Light output all LEDs on | 8727 lm |
| | Light output blue | 715 lm |
| | Light output green | 2709 lm |
| | Light output red | 2526 lm |
| | Lux @ 10m | 853 lux |
| | Lux @ 3m | 9478 lux |
| | Lux @ 5m | 3412 lux |
| | Maximum Field Angle | 78 ° |
| | Minimum Field Angle | 31 ° |
| Physical | Color options | Black - RAL 9004 Custom color - Any RAL White - RAL 9010 |
| | Effective Projected Area | 0.65 Square ft |
| | IP class | IP65 |
| | Lens material | PE and tempered glass front |
| | Material | Aluminium |
| | Net dimensions | 334 x 223 x 105 mm |
| | Net dimensions inches | 13.2 x 8.8 x 4.1 inches |
| | Net weight | 6.1 kg (13.5 lbs) |
| Features | Dimming | Electronic |
| | LED panel | 3 individually controllable segments |
| | Strobe | Ultra-high-speed strobe effects |
| | Tilt | 0 - 190° |
| Electrical | AC power, max. | 90 - 305V 50/60Hz |
| | AC Power, nominal | 100 - 277V 50/60Hz |

| | | |
|--------------------------------|------------------------------|--|
| | Electrical Protection | Overload protection with automatic recover |
| | Max Inrush Current | 75 A |
| | Max power consumption | 200 W |
| | Power factor | 0.97 PF (230 V) |
| | Power Supply Unit | Inbuilt IP 67 Auto-ranging electronic switch-mode |
| | Standby power consumption | 5 W |
| | Typical power consumption | 170 W |
| Programming and Control | 16-bit control | Dimmer, Red, Green, Blue |
| | Cabled DMX | 5 pin XLR input/output |
| | DMX channels | 3, 6, 9, 12, 15 or 22 |
| | DMX modes | 10 |
| | Protocol | USITT DMX512A RDM ANSI E1.20 |
| | Setting and addressing | OLED graphical display / 4 buttons RDM ANSI E1.20 Standalone mode |
| | Standalone mode | Quick Color Up to 24 programmable scenes |
| Connections | DMX data in/out | IP65 XLR 5-pin cable 0.5m |
| | Power | Power cable 1 meter with bare ends |
| Installation | Mounting point | 2 quarter-turn locking points for one Omega bracket |
| | Orientation | Any |
| | Rigging possibilities | Floor stand (included) or hanging (Omega clamps included) |
| | Safety features | Bottom mount for safety wire Minimum distance to combustible materials: 0.3 meter (11 in). |
| Thermal | Cooling | Active, Forced Air, Temperature-regulated |
| | Humidity (max.) | 98 % |
| | Temperature range, Operating | -40°C to 50°C |
| | Temperature range, Start-up | -20°C to 50°C |
| | Temperature range, Storage | -40°C to 80°C |
| | Thermal Protection | Automatic overtemperature protection |
| Included items | Included items | Mounting bracket (incl. screws) 1 Omega bracket with quarter-turn fasteners Safety instructions and installation |

| | | |
|---------------------|--|--|
| Conforms To | CE - 2014/30/EU: EMC Directive | EN 55103-1 EN 55103-2 EN 55015 EN 61547 EN 61000-3-2 EN 61000-3-3 |
| | CE - 2014/35/EU: Low Voltage Directive | EN 60598-1 EN 60598-2-17 EN 62471 EN 60529 |
| | RoHS2 Directive | 2011/65/EU |
| | UL | UL Std. 1573 |
| Certified To | CSA | CSA-E598-2-17-98, Ed: 1 CSA E60598-1, Ed: 3 |

NOTES:

Due to continuous improvements and innovations, specifications may change without notice.

LEDs' expected lifetime provided by manufacturer and obtained under manufacturer's test conditions.

Zoom range defined as a minimum beam angle to a maximum field angle.

Photometric measurements obtained with Goniometer Scan / SGM Illumination Lab 1.6.0.0.

Lumen output in pixel products is calculated.

Ordering information

| Qty | Product name | Item number |
|--------------------------|--------------------------|-------------|
| <input type="checkbox"/> | P-2 Wash, 21deg, Std, BL | 80030526 |
| <input type="checkbox"/> | P-2 Wash, 43deg, Std, BL | 80030528 |
| <input type="checkbox"/> | P-2 Wash, 15deg, Std, BL | 80030529 |
| <input type="checkbox"/> | P-2 Wash, 43deg, Std, WH | 80030543 |
| <input type="checkbox"/> | P-2 Wash, 21deg, Std, WH | 80030544 |
| <input type="checkbox"/> | P-2 Wash, 15deg, Std, WH | 80030545 |
| <input type="checkbox"/> | P-2 Wash, 43deg, std, CU | 80030591 |
| <input type="checkbox"/> | P-2 Wash, 21deg, Std, CU | 80030592 |
| <input type="checkbox"/> | P-2 Wash, 15deg, Std, CU | 80030593 |
| <input type="checkbox"/> | | |

| Accessories | Item number | |
|--|-------------|--|
| <input type="checkbox"/> P-2 Lens Kit, 15° | 83061132 | |
| <input type="checkbox"/> P-2 Lens Kit, 21° | 83061133 | |
| <input type="checkbox"/> P-2 Lens Kit, 43° | 83061134 | |
| <input type="checkbox"/> Omega Bracket with 1/4-turn fasteners | 83060602 | |
| <input type="checkbox"/> 4-way Barndoors for P-2, Q-2, i-2 | 83061129 | |
| <input type="checkbox"/> 8-way Barndoor for P-2, Q-2, i-2 | 83061130 | |
| <input type="checkbox"/> Accessory Holder for P-2 & i-2 | 83061127 | |
| <input type="checkbox"/> Color Frame for P-2, Q-2, i-2 | 83061131 | |
| <input type="checkbox"/> Floor Stand for P-2 & Q-2 | 83060613 | |
| <input type="checkbox"/> Flight Case for 4 pcs P-2, Q-2, Q-2 W & i-2 incl barndoors | 82051503 | |
| <input type="checkbox"/> SGM USB uploader cable | 83062011 | |
| <input type="checkbox"/> Vacuum Test Kit | 83061136 | |
| <input type="checkbox"/> A-4 | 80070217 | |
| <input type="checkbox"/> Diffusion filter for P-2, i-2 - medium, external | 83061021 | |
| <input type="checkbox"/> Diffusion filter for P-2, i-2 - wide, external | 83061022 | |
| <input type="checkbox"/> Diffusion filter for P-2, i-2 - elliptical horizontal, external | 83061023 | |
| <input type="checkbox"/> Diffusion filter for P-2, i-2 - elliptical vertical, external | 83061024 | |
| <input type="checkbox"/> RDM Addressing Tool | | |
| <input type="checkbox"/> | | |



Headquarter [+45 70 20 74 00](tel:+4570207400)

Mail info@sgmlight.com

Website sgmlight.com