



P-10

Wash / Strobe / Flood / Pixel / Blinder LED light



Description

The SGM P-10 is a unique and extremely powerful all-in-one LED luminaire, ideal for stadiums, arenas, convention centers, high-rise office or hotel buildings, bridges, large format stage shows, sports, or any event that requires an ultra-bright and super-long throw luminaire. It carries the functionalities of a wash light, a strobe light, a flood light, a pixel light, and a direct-view blinder with a non-fading continuous output, making it the perfect multi-purpose LED fixture. It features a narrow native beam angle that can be modified through various optional magnetic and click-on accessory solutions such as holographic filters and barndoors.

Features and benefits

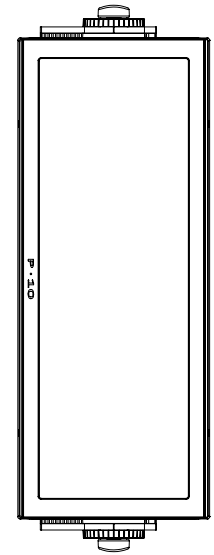
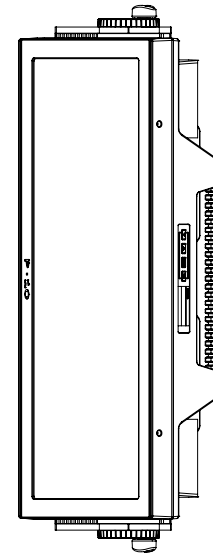
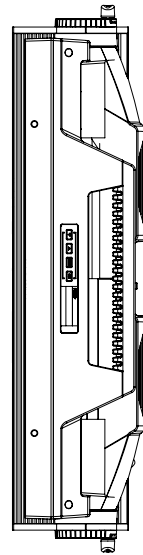
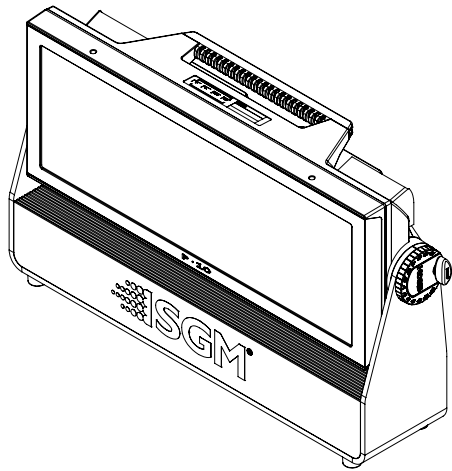
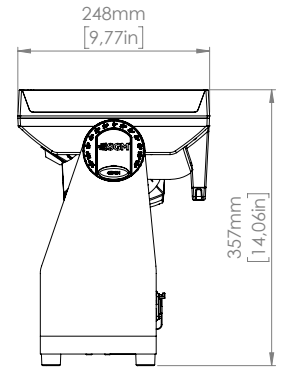
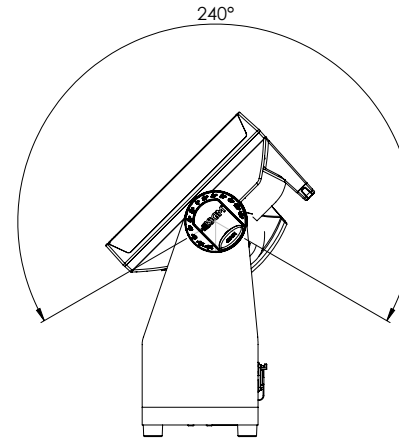
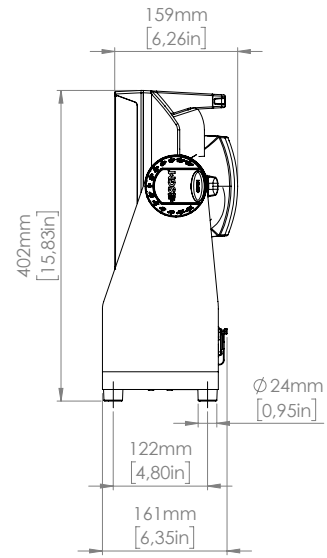
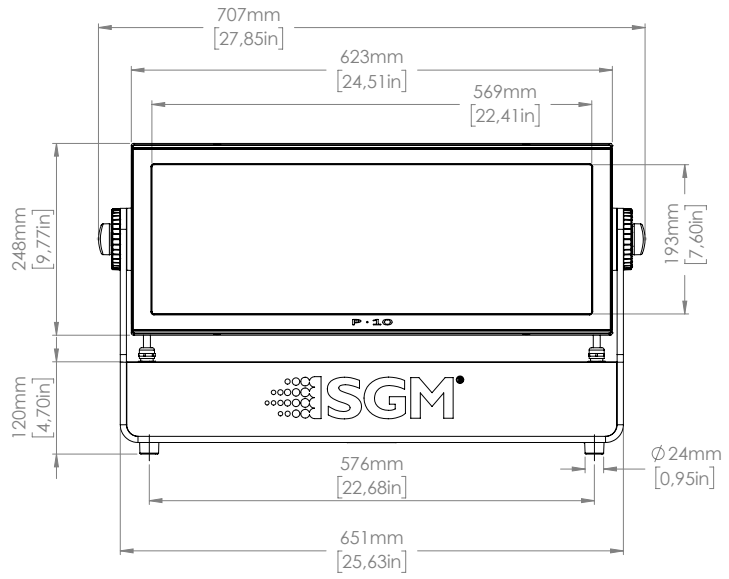
- ✓ 40165 lumen 10° IP65-rated RGBW LED luminaire
- ✓ No color shifts / flicker-free operation
- ✓ CTC linear control from 2000K - 10000K
- ✓ Practically maintenance-free
- ✓ 48 x 24W LEDs with 8 individually controllable segments
- ✓ Best-in-class optical color mixing and dimming performance
- ✓ Different beam angles available via holographic filter frames
- ✓ User friendly display, wireless control, and integrated handle

Certifications & classifications

IP65

RoHS

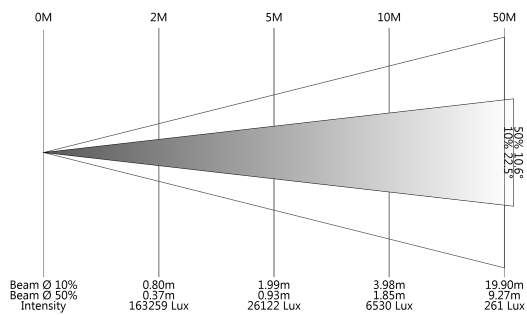




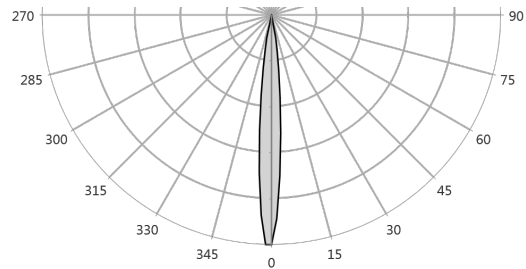
Manufacturer SGM
Luminaire P-10 All on raw peak
Measurement Date 01-02-2018
Power Consumption 1374 W
Light Output 40 165 lm
Field Angle 22.5 deg
Beam Angle 10.6 deg



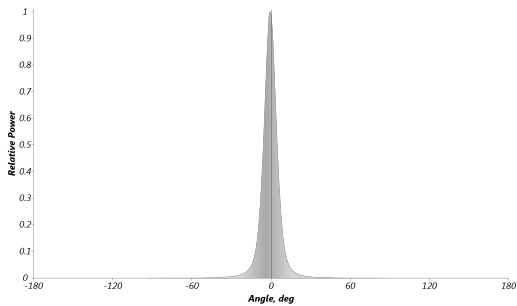
Lux Diagram



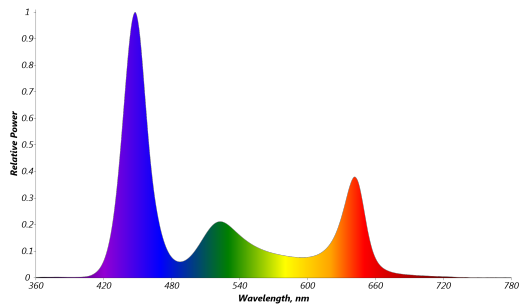
Polar Distribution



Beam Profile



Spectral Distribution



Specification

| | | |
|---------------------|--------------------------|--|
| Optical Data | LED expected lifetime | 50,000 hours |
| | Lens | 10° |
| | Lightsource | 48 x high-power 24W RGBW LEDs |
| Photometric | Beam angle(s) | 11° (with 10° lens) 18° (with Med filter frame) 47° (with Wide filter frame) |
| | Color temperature range | 2000K - 10000K |
| | Efficacy | 29 lm/W |
| | Light output all LEDs on | 40165 lm |
| | Light output blue | 2854 lm |
| | Light output green | 13151 lm |
| | Light output red | 7545 lm |
| | Lux @ 10m | 6530 lux |
| | Lux @ 3m | 72555 lux |
| | Lux @ 5m | 26122 lux |
| | Maximum Field Angle | 23 ° |
| Physical | Color options | Black - RAL 9004 Custom color - Any RAL White - RAL 9010 |
| | Effective Projected Area | 3.09 Square ft |
| | IP class | IP65 |
| | Lens material | PE and tempered glass front |
| | Material | Aluminium PC/ASA Rubber Steel |
| | Net dimensions | 702 x 402 x 206 mm |
| | Net dimensions inches | 27.7 x 15.8 x 8.1 inches |
| | Net weight | 20.9 kg (46.1 lbs) |
| | | |
| Features | Dehumidifier | Base / Head |
| | Dimming | Electronic |
| | Emulation mode / effect | Color Filter Emulation |
| | Filters | Magnetic easy-fit spread angle filters and color frame |
| | LED panel | 8 individually controllable segments |
| | Strobe | Ultra-high-speed strobe effects |
| | Tilt | 0 - 190° |
| | Tilt Locking System | Locking system with angle indicator |
| | | |

| | | |
|--------------------------------|------------------------------|--|
| Electrical | AC power, max. | 90 - 305V 50/60Hz |
| | AC Power, nominal | 100 - 277V 50/60Hz |
| | Electrical Protection | Overload protection with automatic recover |
| | Max Inrush Current | 79 A |
| | Max power consumption | 1400 W |
| | Power factor | 0.99 PF (230 V) |
| | Power Supply Unit | Auto-ranging electronic switch-mode |
| | Standby power consumption | 30 W |
| Typical power consumption | 1150 W | |
| Programming and Control | 16-bit control | Dimmer, Red, Green, Blue |
| | Cabled DMX | 5 pin XLR input/output |
| | DMX channels | 4, 6, 8, 9, 10, 21, 27, 30, 32, 35, 52 |
| | DMX modes | 13 |
| | Protocol | CRMX, W-DMX™ G2, W-DMX™ G3, W-DMX™ G4, W-DMX™ G4S, USITT DMX512A, RDM ANSI E1.20 |
| | Setting and addressing | OLED graphical display / 4 buttons RDM ANSI E1.20 |
| | Standalone mode | Quick Color 3 programs with up to 24 scenes |
| | Wireless DMX | Lumen Radio with RDM |
| Connections | DMX data in/out | IP65 XLR 5-pin connector, Female IP65 XLR 5-pin connector, Male |
| | Power | Power input connector & link-thru |
| Installation | Mounting point | 3 x two quarter-turn locking points for two or three Omega Brackets |
| | Orientation | Any |
| | Rigging possibilities | Hanging (Omega Bracket included) or ceiling/wall mount (optional) |
| | Safety features | 2 attachment points for safety wire Minimum distance to combustible materials: 0.3 meter (11 in). |
| Thermal | Cooling | Active, Forced Air, Temperature-regulated |
| | Humidity (max.) | 98 % |
| | Temperature range, Operating | -40°C to 50°C |
| | Temperature range, Start-up | -20°C to 50°C |
| | Temperature range, Storage | -40°C to 80°C |

| | Thermal Protection | Automatic overtemperature protection |
|-----------------------|--|--|
| Included items | Included items | 2 Omega bracket with quarter-turn fasteners 2 m power cable Safety instructions and installation quick guide |
| Conforms To | CE - 2014/30/EU: EMC Directive | EN 55103-1 EN 55103-2 EN 55015 EN 61547 EN 61000-3-2 EN 61000-3-3 |
| | CE - 2014/35/EU: Low Voltage Directive | EN 60598-1 EN 60598-2-17 EN 62471 EN 60529 |
| | RoHS2 Directive | 2011/65/EU |
| | UL | UL Std. 1573 |
| Certified To | CSA | CSA-E598-2-17-98, Ed: 1 CSA E60598-1, Ed: 3 |

NOTES:

Due to continuous improvements and innovations, specifications may change without notice.

LEDs' expected lifetime provided by manufacturer and obtained under manufacturer's test conditions.

Zoom range defined as a minimum beam angle to a maximum field angle.

Photometric measurements obtained with Goniometer Scan / SGM Illumination Lab 1.6.0.0.

Lumen output in pixel products is calculated.

Ordering information

| Qty | Product name | Item number |
|--------------------------|--|--------------------|
| <input type="checkbox"/> | P-10, Std, BL | 80033001 |
| <input type="checkbox"/> | P-10, Std, WH | 80033011 |
| <input type="checkbox"/> | P-10, Std, CU | 80033021 |
| <input type="checkbox"/> | | |
| | Accessories | Item number |
| <input type="checkbox"/> | Omega Bracket with 1/4-turn fasteners | 83060602 |
| <input type="checkbox"/> | Power cable with IP connector | 07860275 |
| <input type="checkbox"/> | SGM USB uploader cable | 83062011 |
| <input type="checkbox"/> | Vacuum Test Kit | 83061136 |
| <input type="checkbox"/> | A-4 | 80070217 |
| <input type="checkbox"/> | Filter frame for P·10 - elliptical horizontal wide angle | 83061158 |
| <input type="checkbox"/> | Filter frame for P·10 - elliptical vertical wide angle | 83061159 |
| <input type="checkbox"/> | Filter frame for P·10 - medium angle | 83061156 |
| <input type="checkbox"/> | Filter frame for P·10 - wide angle | 83061157 |
| <input type="checkbox"/> | 4-way Barndoors for P·10, Q·10 | 83061152 |
| <input type="checkbox"/> | RDM Addressing Tool | |
| <input type="checkbox"/> | Filter frame for P·10 - optional filters | 83061160 |
| <input type="checkbox"/> | Flight Case for 2 pcs of P·10 incl. accessories | 82051504 |
| <input type="checkbox"/> | | |



Headquarter [+45 70 20 74 00](tel:+4570207400)

Mail info@sgmlight.com

Website sgmlight.com