

## **Germany**

Arnold & Richter Cine Technik GmbH & Co. Betriebs KG.  
Pulvermühle, D-83071 Stephanskirchen  
Tel: +49(0)8036-3009-0, Fax: +49(0)8036-2471

ARRI Lighting Solutions GmbH  
Ernst-Augustin Str. 12, D-12489 Berlin  
Tel: + 49(0)30-678233-0, Fax: +49(0)30-678233-99

## **Great Britain**

ARRI GB Limited (Sales & Service)  
2 Highbridge, Oxford Road, Uxbridge, Middlesex, UB8 1LX, Great Britain  
Tel: +44 (0)1895 457 000, Fax: +44 (0)1895 457 001

## **Italy**

ARRI Italia S.r.l. (Sales & Service, Milan)  
Viale Edison 318, 20099 Sesto San Giovanni (Milano), Italy  
Tel: +39 (02)262 271 75, Fax: +39 (02)242 1692

ARRI Italia S.r.l (Sales & Service, Rome)  
Via Placanica 97, 00040 Morena (Roma), Italy  
Tel: +39 (06)79 89 021, Fax: +39 (06)79 89 02 206

## **USA**

ARRI Inc. (Sales & Service, East Coast)  
617 Route 303, Blauvelt, NY 10913-1109, USA  
Tel: +1 (845)353 1400, Fax: +1 (845)425 1250

ARRI Inc. (Sales & Service, West Coast)  
600 North Victory Blvd., Burbank, CA 91502-1639, USA  
Tel: +1 (818)841 7070, Fax: +1 (818)848 4028

## **Canada**

ARRI Canada Limited (Sales & Service)  
415 Horner Ave, Unit 11 & 12, Toronto, Ontario M8W 4WS, Canada  
Tel: +1 (416)255 3335, Fax: +1 (416)255 3399

## **Australia**

ARRI Australia PTY Limited  
Unit 6C, 5 Talavera Road, Macquarie Park NSW 2113, Sydney, Australia  
Tel: +61 (2)9855 4308, Fax: +61 (2)9855 4301

## **Hong Kong**

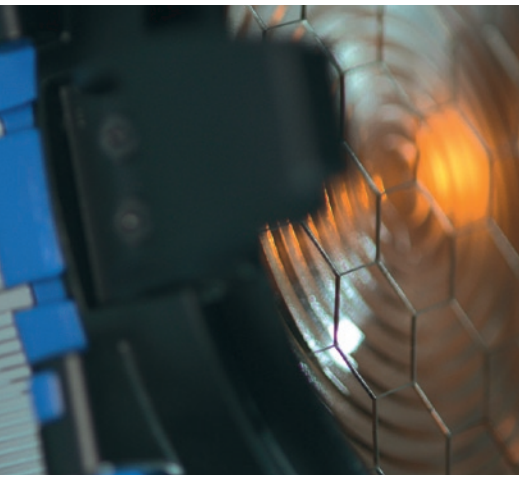
ARRI ASIA Limited  
Office 3B on 29/F, The Centrium, 60 Wyndham Street, Central, Hong Kong  
Tel: + 852 2571 6288 Fax: + 852 2875 9181

# TRUE BLUE Tungsten

New Location & Studio Fresnels











# THE EVOLUTION

## Of Authentic ARRI TRUE BLUE Lighting

ARRI TRUE BLUES represent an unprecedented evolution of the Studio and Location fixtures that have been popular workhorses for over two decades. Following extensive research and feedback from lighting professionals around the world, combined with advances in technology, ARRI has designed a series of six highly innovative lampheads with over 30 new improvements for studio and location lighting. With reduced weight, compact size and maximum light output TRUE BLUES set a new standard for professional lighting equipment.

New pressure die cast and extruded aluminium components have reduced the overall weight of the TRUE BLUE fixtures without any sacrifice in quality or durability. Many components now offer greater strength and resistance to corrosion.

ARRI's cross cooling system\* reduces lamp housing temperature by 25% and lens temperature by 17%. With special air channels built into the aluminium extrusion, a constant stream of air passes around the Fresnel lens and into the lamphead regardless of the tilt angle.

At the heart of the TRUE BLUE concept is a redesigned stirrup and improved tilt lock. The stainless steel friction disc locks the lamphead securely even with the largest Chimera or other accessories. To make balancing the lamphead even

easier, the stirrup mounting slides and can be adjusted to counterbalance all accessories. The new extruded aluminium stirrup is stronger, lighter and less bulky but still permits full fixture rotation. It's soft contour makes it comfortable to carry.

Improved barndoors are stronger, less susceptible to bending and a new hinge design maintains constant tension that can be easily adjusted.

Routine maintenance and repair are easier with fast, simple access to all internal components. Cleaning is made effortless with smooth lamp housing surfaces.

ARRI has redesigned these new lights down to the smallest detail, offering lighting professionals better choices for location and studio work. TRUE BLUE Fresnels from 1000 to 5000W include the T1, T2, T5, ST1, ST2 and ST5.

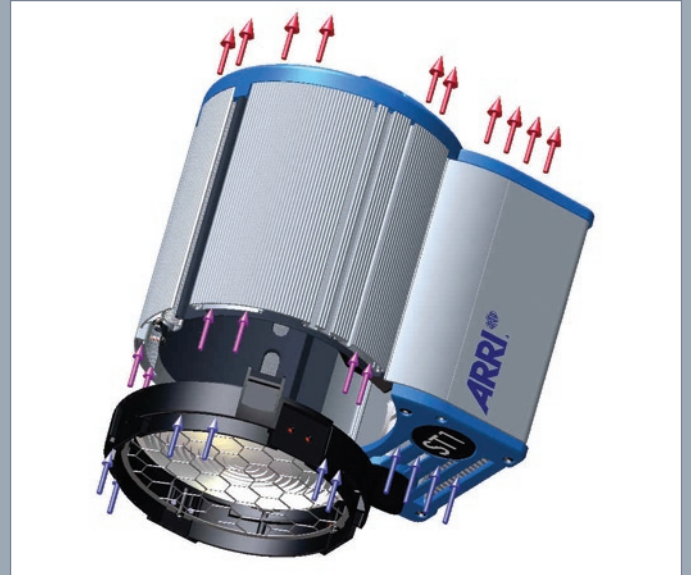
\* Patent pending

## Cross Cooling\*

ARRI's cross cooling\* system moves a stream of air around the Fresnel lens and through the lamphead. In addition, air is channeled through the aluminium extrusion housing, reducing lens temperature by 17% and housing temperatures by 25%. Cross cooling\* allows ARRI TRUE BLUES to

safely operate at almost any tilt angle.

\* Patent pending



## Sliding Stirrup

Modern fixtures use a wide variety of Chimeras, scrollers and other front mounted accessories. Simply slide ARRI's innovative stirrup bracket to quickly and easily adjust the fixture's centre of gravity.

\* Due to the smaller size of the fixture, the sliding stirrup is not used on the T1.



## Tilt Lock

ARRI's new design creates a positive lock so there's no slippage when using heavy accessories. A stainless steel friction disc functions like a disc brake allowing the lamphead to be completely locked off with a minimum of force.

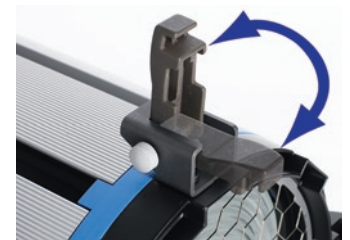


## Top Latch

True Blue offers two new designs of top latch to suit the application. The Studio Top Latch is simple and easy to use and can be turned completely out of the way to load and unload accessories. The Location Top Latch is specially coated for improved corrosion resistance and is sprung loaded for fast operation even when hot.



Studio Top Latch



Location Top Latch

## Adjustable Accessory Brackets

Finally an easy solution to an old problem. Location crews need space in the accessory bracket for up to four scrims; studio crews suffer from the light leak this creates. Now two-position TRUE BLUE accessory brackets quickly adjust in or out for two or four scrims. By reducing the space between the scrims and the lens, unwanted reflected and spill light is minimised.



Two Scrim Position



Four Scrim Position

## Maintenance

TRUE BLUE fixtures have been designed for serviceability with more common parts across the line. Removing a maximum of six universal Torx screws provides easy access to all interior parts. TRUE BLUES require only three Torx drivers to disassemble the complete fixture.

ARRI's new aluminium extrusion makes cleaning fixtures easy and our new paint process ensures that TRUE BLUES will look as great as they perform.

## Barndoors

New ARRI barndoors use a special alloy with a high strength-to-weight ratio. The leaves in our new design withstand bending and deforming far better than traditional barndoors. In addition, leaves are now easily tightened to avoid slipping and the larger leaf design provides better control and sharper cutoff. The same features are incorporated in a new optional eight leaf barndoor.

## Stainless Steel Lens Protection

The laser cut hexagonal safety mesh maximizes light transmission and is tough enough to withstand location abuse.



## Barndoor Safety Catch



Although the top latch holds accessories securely at any tilt angle, both Studio and Location lampheads feature a second safety catch mounted on the bottom accessory bracket. This eliminates the need for a barndoor safety bond without restricting the rotation.

## Improved Weather Protection/IP23

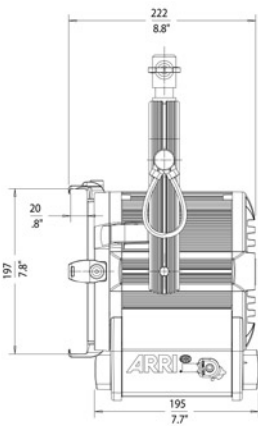
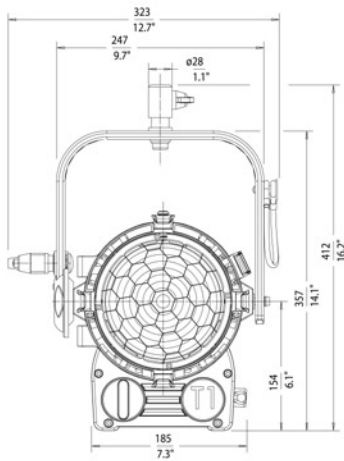


TRUE BLUE fixtures are manufactured to the IP23 standard and are suitable for indoor use or outdoor use providing a degree of protection against falling rain (up to a 60° angle from vertical).

## Safety Certification

All True Blue fixtures carry not only CE declaration but also an independently assessed TUV certification.





### Part No. Description

L3.39610.B	T1 1000W Location Fresnel Lamphead, manual, blue/silver
L3.39615.B	T1 1000W Location Fresnel Lamphead, manual, black
L3.39610.I	T1 1000W Location Fresnel Lamphead, pole operated, blue/silver
L3.39610.D	T1 1000W Location Fresnel Lamphead, manual, blue/silver with Schuko plug
L3.79615.D	T1 1000W Location Fresnel Lamphead, manual, black with Schuko plug
All the above are supplied with four leaf barndoor and filter frame.	

### Accessories

L2.39670.0	Four Leaf Barndoor, black, rotatable, 197mm
L2.39700.0	Eight Leaf Barndoor, black, rotatable, 197mm
L2.79690.0	Filter Frame 197mm
L2.79680.0	Variable Snoot
L2.88013.0	Set of 4 Scrims (without bag)
L2.88913.1	Scrim bag
L2.76977.0	Large Kit Stand

### Lamps

CP40	1000W	230V	G22 Monoplane
CP71	1000W	230V	G22 Biplane

### Specifications

Weight	5.5kg manual, 7.5kg pole op		
Cable	3m with inline switch manual, 1.5m pole op		
Lens Diameter	150 mm (5.9")		
Reflector	Spherical specular high purity aluminium		
Lampholder	G22		
Mounting	Combination mount (16mm receptable (5/8") / 28mm (1 1/8") spigot) on manual versions, 28mm (1 1/8") spigot on pole op versions		
Packed Size	390 x 390 x 360mm / 15.3 x 15.3 x 14.1"		
Protection Class	IP23		
Certification	NRTL-US-C, CE, TÜV GS, CB		

### Photometric Data with CP71 Lamp

Throw (m):	4	6	8
Spot: 10°	133450cd		
Output (lux)	8341	3707	2085
Diameter (m)	0.7	1.0	1.4
Medium: 30°	38700cd		
Output (lux)	2419	1075	605
Diameter (m)	2.1	3.2	4.3
Flood: 54°	20275cd		
Output (lux)	1267	563	317
Diameter (m)	4.1	6.1	8.2

Part No.	Description
L3.40500.B	ST1 1000W Studio Fresnel Lamphead, manual, blue/silver
L3.40505.B	ST1 1000W Studio Fresnel Lamphead, manual, black
L3.40500.I	ST1 1000W Studio Fresnel Lamphead, pole operated, blue/silver
L3.40505.I	ST1 1000W Studio Fresnel Lamphead, pole operated, black
L3.40500.D	ST1 1000W Studio Fresnel Lamphead, manual, blue/silver with Schuko plug
L3.40505.D	ST1 1000W Studio Fresnel Lamphead, manual, black with Schuko plug
L3.40500.K	ST1 1000W Studio Fresnel Lamphead, pole operated, blue/silver with Schuko plug
L3.40505.K	ST1 1000W Studio Fresnel Lamphead, pole operated, black with Schuko plug
	All the above are supplied with four leaf barndoor and filter frame.

### Accessories

L2.39870.0	Four Leaf Barndoor, black, rotatable, 245mm
L2.39900.0	Eight Leaf Barndoor, black, rotatable, 245mm
L2.79890.0	Filter Frame 230mm
L2.79880.0	Variable Snoot
L2.88914.0	Set of 4 Scrims (without bag)
L2.88914.1	Scrim Bag
L2.76990.0	Safety Cable
L2.89079.0	4m Operating Pole for pole-op fixtures
L2.88118.0	Barrel Clamp

### Lamps

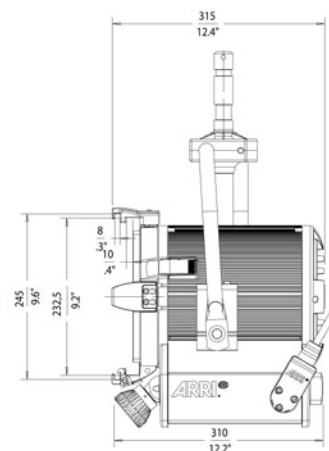
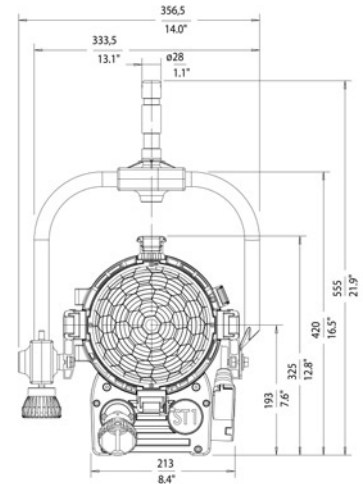
CP40	1000W	230V	G22 Monoplane
CP71	1000W	230V	G22 Biplane

### Specifications

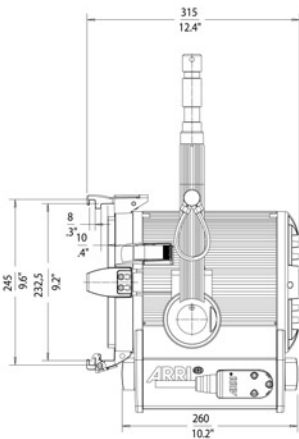
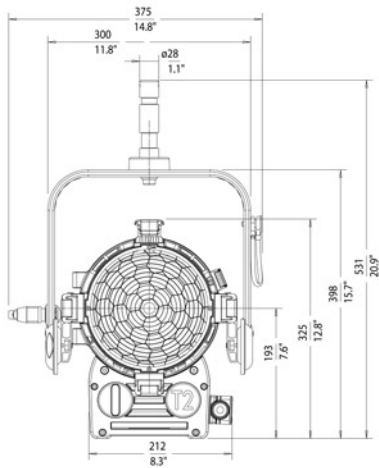
Weight	7kg manual, 8kg pole op
Cable	1.5m
Lens Diameter	175 mm (6.9")
Reflector	Spherical specular high purity aluminium
Lampholder	G22
Mounting	28mm (1 1/8") spigot
Packed Size	460 x 400 x 400mm / 18.11 x 15.75 x 15.75"
Protection Class	IP23
Certification	NRTL-US-C, CE, TÜV GS, CB

### Photometric Data with CP71 Lamp

Throw (m):	4	6	8
<b>Spot 10°</b>	155225cd		
Output (lux)	9702	4312	2425
Diameter (m)	0.7	1.0	1.4
<b>Medium 30°</b>	36325cd		
Output (lux)	2270	1009	568
Diameter (m)	2.1	3.2	4.3
<b>Flood 58°</b>	16550cd		
Output (lux)	1034	460	259
Diameter (m)	4.4	6.7	8.9







Part No.	Description
L3.41250.B	T2 2000W Location Fresnel Lamphead, manual, blue/silver
L3.41255.B	T2 2000W Location Fresnel Lamphead, manual, black
L3.41250.I	T2 2000W Location Fresnel Lamphead, pole operated, blue/silver
L3.41250.D	T2 2000W Location Fresnel Lamphead, manual, blue/silver with Schuko plug
L3.41255.D	T2 2000W Location Fresnel Lamphead, manual, black with Schuko plug
All the above are supplied with four leaf barndoor and filter frame.	

### Accessories

L2.39870.0	Four Leaf Barndoor, black, rotatable, 245mm
L2.39900.0	Eight Leaf Barndoor, black, rotatable, 245mm
L2.79890.0	Filter Frame 230mm
L2.79880.0	Variable Snoot
L2.88914.0	Set of 4 Scrim (without bag)
L2.88914.1	Scrim bag
L2.88717.0	Cine Stand

### Lamps

CP41	2000W	230V	G38 Monoplane
CP73	2000W	230V	G38 Biplane

### Specifications

Weight	7kg manual, 8kg pole op		
Cable	3m with inline switch manual, 1.5m pole op		
Lens Diameter	175 mm (6.9")		
Reflector	Spherical specular high purity aluminium		
Lampholder	G38		
Mounting	28 mm (1 1/8") spigot		
Packed Size	460 x 400 x 400mm / 18.11 x 15.75 x 15.75"		
Protection Class	IP23		
Certification	NRTL-US-C, CE, TÜV GS, CB		

### Photometric Data with CP73 Lamp

Throw (m):	6	9	12
Spot 12°	216600cd		
Output (lux)	6017	2674	1504
Diameter (m)	1.3	1.9	2.5
Medium 30°	67625cd		
Output (lux)	1878	835	470
Diameter (m)	3.2	4.8	6.4
Flood 57°	34475cd		
Output (lux)	958	426	239
Diameter (m)	6.5	9.8	13.0

Part No.	Description
L3.40750.B	ST2 2000W Studio Fresnel Lamphead, manual, blue/silver
L3.40755.B	ST2 2000W Studio Fresnel Lamphead, manual, black
L3.40750.I	ST2 2000W Studio Fresnel Lamphead, pole operated, blue/silver
L3.40755.I	ST2 2000W Studio Fresnel Lamphead, pole operated, black
L3.40750.D	ST2 2000W Studio Fresnel Lamphead, manual, blue/silver with Schuko plug
L3.40755.D	ST2 2000W Studio Fresnel Lamphead, manual, black with Schuko plug
L3.40750.K	ST2 2000W Studio Fresnel Lamphead, pole operated, blue/silver with Schuko plug
L3.40755.K	ST2 2000W Studio Fresnel Lamphead, pole operated, black with Schuko plug
	All the above are supplied with four leaf barndoor and filter frame.

### Accessories

L2.40950.0	Four Leaf Barndoor, black, rotatable, 344mm
L2.40960.0	Eight Leaf Barndoor, black, rotatable, 344mm
L2.80970.0	Filter Frame 330mm
L2.80975.0	Variable Snoot
L2.88915.0	Set of 4 Scrim (without bag)
L2.88915.1	Scrim Bag
L2.76990.0	Safety Cable
L2.89079.0	4m Operating Pole for pole-op fixtures
L2.88118.0	Barrel Clamp

### Lamps

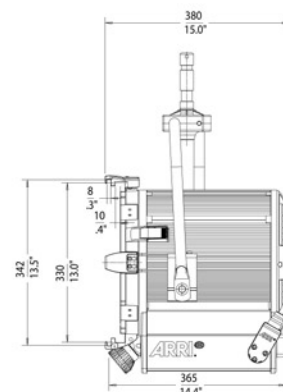
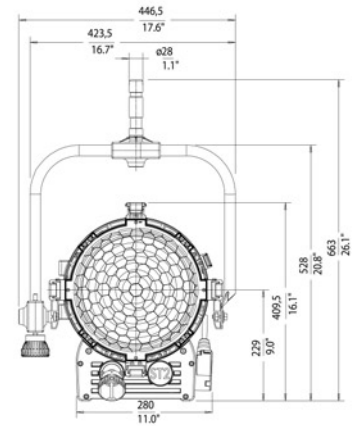
CP41	2000W	230V	G38 Monoplane
CP73	2000W	230V	G38 Biplane

### Specifications

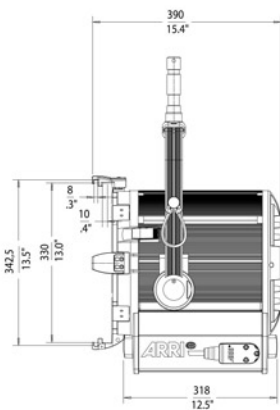
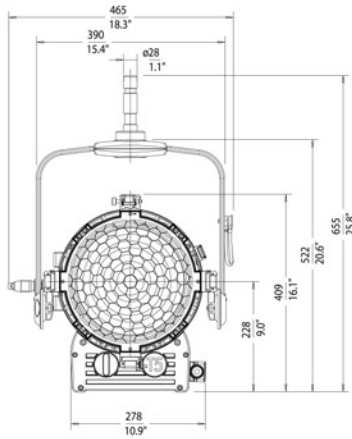
Weight	10.5kg manual, 11.5kg pole op
Cable	1.5m
Lens Diameter	250 mm (10")
Reflector	Spherical specular high purity aluminium
Lampholder	G38
Mounting	28 mm (1 1/8") spigot
Packed Size	550 x 510 x 510mm / 21.65 x 20.08 x 20.08"
Protection Class	IP23
Certification	NRTL-US-C, CE, TÜV GS, CB

### Photometric Data with CP73 Lamp

Throw (m):	6	9	12
<b>Spot 9°</b>	465700cd		
Output (lux)	12936	5749	3234
Diameter (m)	0.9	1.4	1.9
<b>Medium 30°</b>	79875cd		
Output (lux)	2219	986	555
Diameter (m)	3.2	4.8	6.4
<b>Flood 52°</b>	43125cd		
Output (lux)	1198	532	299
Diameter (m)	5.9	8.8	11.7







### Part No. Description

L3.40000.B	T5 5000W Location Fresnel Lamphead, manual, blue/silver
L3.40005.B	T5 5000W Location Fresnel Lamphead, manual, black
All the above are supplied with four leaf barndoor and filter frame.	

### Accessories

L2.40950.0	Four Leaf Barndoor, black, rotatable, 344mm
L2.40960.0	Eight Leaf Barndoor black, rotatable, 344mm
L2.80970.0	Filter Frame 330mm
L2.80975.0	Variable Snoot
L2.88915.0	Set of 4 Scrims (without bag)
L2.88915.1	Scrim bag
L2.89504.0	Universal Stand

### Lamps

CP29	5000W	230V	G38 Monoplane
CP85	5000W	230V	G38 Biplane

### Specifications

Weight	11.5kg
Cable	3m with inline switch
Lens Diameter	250 mm (10")
Reflector	Spherical specular high purity aluminium
Lampholder	G38
Mounting	28 mm (1 1/8") spigot
Packed Size	550 x 510 x 510mm / 21.65 x 20.08 x 20.08"
Protection Class	IP23
Certification	NRTL-US-C, CE, TÜV GS, CB

### Photometric Data with CP85 Lamp

Throw (m):	9	12	18
Spot 11°	714925cd		
Output (lux)	8826	4965	2207
Diameter (m)	1.7	2.3	3.5
Medium 30°	229225cd		
Output (lux)	2830	1592	707
Diameter (m)	4.8	6.4	9.7
Flood 50°	99675cd		
Output (lux)	1231	692	308
Diameter (m)	8.4	11.2	16.8

Part No.	Description
L3.41000.B	ST5 5000W Studio Fresnel Lamphead, manual, blue/silver
L3.41005.B	ST5 5000W Studio Fresnel Lamphead, manual, black
L3.41000.I	ST5 5000W Studio Fresnel Lamphead, pole operated, blue/silver
L3.41005.I	ST5 5000W Studio Fresnel Lamphead, pole operated, black
	All the above are supplied with four leaf barndoor and filter frame.

### Accessories

L2.41200.0	Four Leaf Barndoor, black, rotatable, 413mm
L2.41210.0	Eight Leaf Barndoor, black, rotatable, 413mm
L2.81220.0	Filter Frame 400mm
L2.81225.0	Variable Snoot
L2.88916.0	Set of 4 Scrims (without bag)
L2.88916.1	Scrim Bag
L2.76990.0	Safety Cable
L2.89079.0	4m Operating Pole for pole-op fixtures
L2.88118.0	Barrel Clamp

### Lamps

CP29	5000W	230V	G38 Monoplane
CP85	5000W	230V	G38 Biplane

### Specifications

Weight	13.5kg manual, 15kg pole op
Cable	2m
Lens Diameter	300 mm (11.8")
Reflector	Spherical specular high purity aluminium
Lampholder	G38
Mounting	28 mm (1 1/8") spigot
Packed Size	600 x 600 x 500mm / 23.62 x 23.62 x 22.82"
Protection Class	IP23
Certification	NRTL-US-C, CE, TÜV GS, CB

### Photometric Data with CP85 Lamp

Throw (m):	9	12	18
<b>Spot 9.0°</b>	908275cd		
Output (lux)	11213	6307	2803
Diameter (m)	1.4	1.9	2.8
<b>Medium 30°</b>	188525cd		
Output (lux)	2327	1309	582
Diameter (m)	4.8	6.4	9.7
<b>Flood 62°</b>	89875cd		
Output (lux)	1110	624	277
Diameter (m)	10.8	14.4	21.6

