



Lighting Control Mountings

A system of arms and modular frames make up an “easy build” modular system for the support of overhead textiles and panels for studio and location work.



8

Lighting Control Mountings

Support of overhead textiles and panels for studio and location work.

This unique overhead frame allows rapid fold-out and set-up, ready to mount on stands in seconds!

Precisely engineered, the hinged connection points will easily fold to get the frame from set to set or through doorways without having to remove the fabric.

The Fold Away is very compact for transportation and storage.

■ Fold Away Frame. Designed by Steve Cardellini.



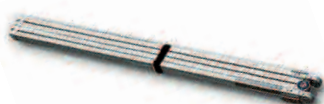
FOLD AWAY FRAME

Code	Lightweight Frame Size Feet - cm	Tube Thickness mm	Frame Support	Transport Dimension mm	Weight kg
L2.88606.0/LH.2006.A	6 x 6 - 183 x 183	2	Ear Type x 2	1915 x 150 x 30	10.5
L2.88607.0/LH.2008.A	8 x 8 - 244 x 244	2	Ear Type x 2	2525 x 150 x 30	11.5
L2.88608.0/LH.2012.A	12 x 12 - 366 x 366	2	Ear Type x 2	3740 x 150 x 30	13.5

FOLD-OUT AND SET UP

Just fix the frame holder and it is ready to mount!

To order Ear Support alone use code **LHS.2015.A**



FOLD-DOWN AND BRING UP

Need to move the frame quickly from set to set? No problem, just remove the frame holder, fold down the frame and carry the frame with the textile still fitted!!



FOLD AWAY FRAME COMPACT

Code	Lightweight Frame Size Feet - cm	Tube Thickness mm	Frame Support	Transport Dimension mm	Weight kg
L2.88611.0/LH.2508.A	8 x 8 - 244 x 244	2	Ear Type x 2	1298 x 165 x 85	14.8
L2.88612.0/LH.2512.A	12 x 12 - 366 x 366	2	Ear Type x 2	1905 x 165 x 85	17



FOLD-DOWN AND BRING UP

Fold Away Compact is the evolution of the standard version. A locking mechanism (shown below) allows the frame to be folded even smaller for even easier transportation.



The ARRI Butterfly Frames use two methods of support. Ear and Stud as illustrated.



LIGHTWEIGHT FRAMES

The Deluxe Fast-Loc Frame kit is lightweight and quick to set up. The square section aluminium tubes slide and lock together to provide a strong frame which supports lighting control textiles of 4' x 4' and 6' x 6' in size.

Code	Lightweight Feet	Frame Size cm	No. of tubes per side	Tube Length x Thickness mm	Tube Connection	Frame Support	Weight kg	Optional Frame Bag
L2.88621.0/LH.440.A	4 x 4	122 x 122	1	640 x 1.4	Insert	Stud Type x 1	5.9	LH.6BAG
L2.88599.0/LH.1000.A	6 x 6	122 x 122	1	1205 x 1.4	Insert	Stud Type x 2	6.9	LH.6BAG

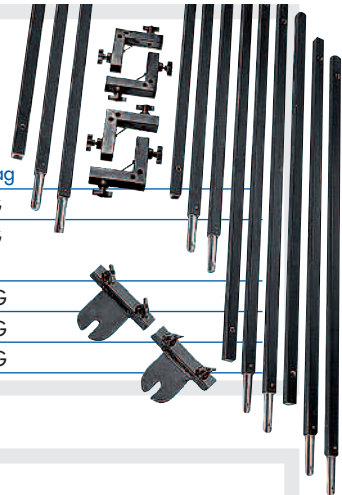
Insert Tube Connection



MODULAR FRAMES

Heavy duty 3mm square section tubes-slot and pin-lock together, rapidly providing a stable frame for lighting control textiles. By reducing or adding tubes you can create any frame size.

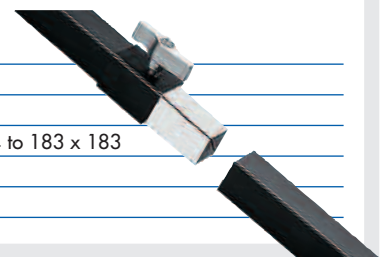
Code	Modular Feet	Frame Size cm	No. of tubes per side	Tube Length x Thickness mm	Tube Connection	Frame Support	Weight kg	Optional Frame Bag
L2.88618.0/LH.400.M	4 x 4	122 x 122	1	1205 x 3	N/A	Ear Type x 1	7.3	LH.6BAG
L2.88622.0/LH.600.M	6 x 6	183 x 183	1	1205 x 3	Pin	Ear Type x 2	11.4	LH.6BAG
L2.88624.0/LH.800.M	8 x 8	244 x 244	2	1205 x 3	Pin	Ear Type x 2	13.6	LH.6BAG
L2.88603.0/LH.1200.S	12 x 12	366 x 366	3	1205 x 3	Pin	Ear Type x 2	19	LH.6BAG
L2.88605.0/LH.2000.T	20 x 20	610 x 610	5	1205 x 3	Pin	Ear Type x 2	32.6	LH.6BAG



MODULAR FRAME CONVERSION KITS

Heavy duty 3mm square section tubes-slot and pin-lock together, rapidly providing a stable frame for lighting control textiles. By reducing or adding tubes you can create any frame size.

Code	Conversion kit (ft.)	Conversion kit (cm)
L2.88619.0/LH.406.EXT	from 4 x 4 to 6 x 6	122 x 122 to 183 x 183
L2.88620.0/LH.408.EXT	from 4 x 4 to 8 x 8	122 x 122 to 244 x 244
L2.88625.0/LH.806.EXT	from 20 x 20, 12 x 12 and 8 x 8 to 6 x 6	610 x 610, 366 x 366 and 244 x 244 to 183 x 183
L2.88626.0/LH.812.EXT	from 8 x 8 to 12 x 12	244 x 244 to 366 x 366
L2.88604.0/LH.1220.EXT	from 12 x 12 to 20 x 20	366 x 366 to 610 x 610

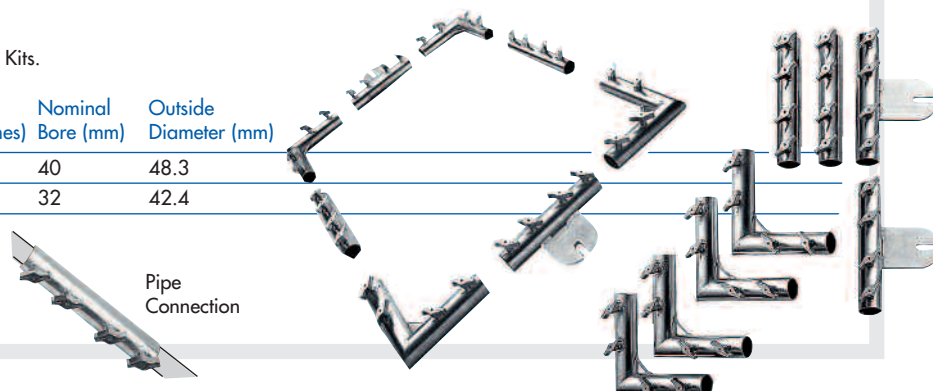


D.I.Y. BUTTERFLY PIPE CORNER KIT

Pipe specifications for use with the D.I.Y Butterfly Pipe Corner Kits.

Code	Nominal Bore (Inches)	Outside Diameter (Inches)	Nominal Bore (mm)	Outside Diameter (mm)
L2.88627.0/LH.9000.DIY	1 1/2"	1 29/32"	40	48.3
L2.88628.0/LH.9500.DIY	1 1/4"	1 11/16"	32	42.4

These two different kits, which contain corners and supports, give you the possibility of making frames of any dimension, using standard aluminium pipes. See the above chart for the right diameter of pipes to use.



8

Lighting Control Mountings

Support of overhead textiles and panels for studio and location work.

L2.88983.0 / LF.143F

POLY FORK

 0.14kg

Fork attachment for styrene gobos: supplied with 1/4" and 3/8" female attachment. Size 12.5 x 20cm.



L2.89271.0 / LF.1521

2" POLYHOLDER WITH 16mm PIN

 1kg


 Type 33

A black/white foamcore support clamp to enable precise positioning. Mounts via a 16mm pin.



L2.88300.0 / LF.1504.A

POLY FORK WITH 16mm PIN

 0.25kg

 Type 33

Similar to the LF.1501, but includes four pointed pins to mount thicker foam core or gator-board. Mounts via a 16mm pin.



L2.88984.0 / LF.15001.A

1" POLY HOLDER WITH 16mm SOCKET

 0.8kg

 Type 1

A foamcore support clamp to enable precise positioning. Mounts via a 16mm socket.



L2.89270.0 / LF.1520

2" POLYHOLDER WITH SWIVELLING PIN

With 27mm swivelling pin. Black and white polyholder.



L2.88299.0 / LF.15000.A

not illustrated

1" POLY HOLDER WITH 16mm PIN
As LF.15001.A but with 16mm pin.

Poly and Reflector Holdings



L2.88200.0 / LD.7000.B COLLAPSIBLE REFLECTOR HOLDER

W 0.7kg

U Type 1

Extension Arm.
Max Length: 122cm
Min Length: 47cm.

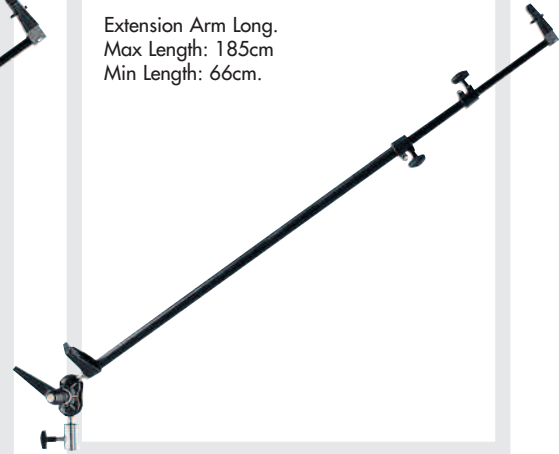


L2.88201.0 / LD.7005.B COLLAPSIBLE REFLECTOR HOLDER LONG

W 0.8kg

U Type 1

Extension Arm Long.
Max Length: 185cm
Min Length: 66cm.



L2.88202.0 / LD.7050.A TELESCOPIC POLY HOLDER

W 2.5kg

U 16mm

Max Size Holding: 156cm.
Folded Length: 91cm.

Polystyrene is one of the most widely used light bouncers, but it's not the easiest material to handle.

Now our Poly-Holder gives you total control. It grips any thickness, is telescopic to hold most full sheet sizes; then just fixes into the lighting Grip Head (code LD.2000.A) mounted on a stand or clamp.

What could be easier?



L2.89382.0 / LI.80103.K REFLECTOR BOARD KIT

U 16mm

1m reflector board kit comprises: set of reflector covers, mounting board and stirrup.

L2.88632.0 / LI.80100.A STIRRUP ONLY

L2.89383.0 / LI.80101.0 COVERS ONLY

L2.89384.0 / LI.80102.0 BOARD ONLY



L2.88600.0 / LH.1040.0

not illustrated

ELASTIC BUNGEE CORDS

Used to tie butterfly textiles to frames. Use 1 set with 1.8m frames, 3 sets with 3.6m and 4 sets with 6m frames.

